

Item description/product images



Description

Material:

Carbon steel.

Version:

Hardened (33–39 HRC) and black oxidised.

Note:

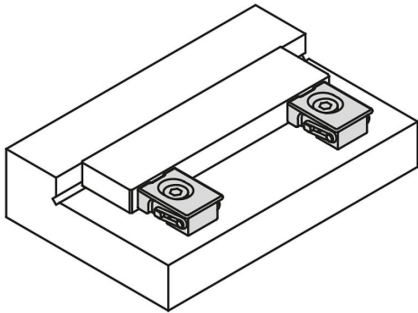
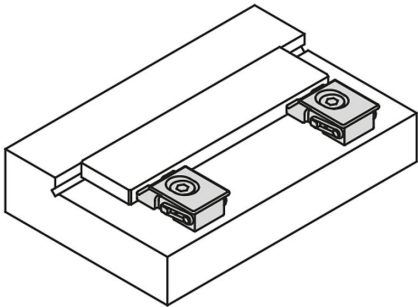
Particularly low workpieces can be clamped using these flat clamps.

Clamping element with pull-down effect.

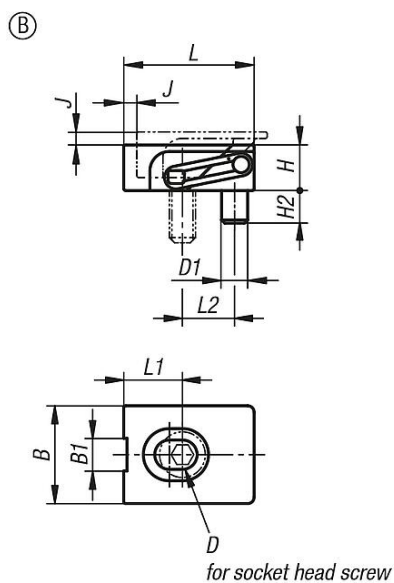
Clamping element and fixed block in one compact unit.

Drawing reference:

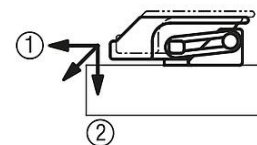
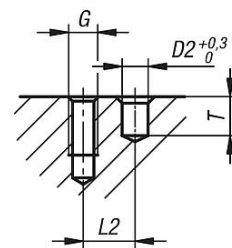
Dimension L1 refers to clamped state.



Drawings



installation instructions



(Jaws exert positive down force)

- ① Horizontal thrust against workpiece
- ② Vertical thrust prevents the workpiece lifting

Overview of items

Order No.	Form	B	B1	D1	D2	G	H	H2	J	L	L1	L2	T	Clamping force max. kN	Tightening torque max. Nm
04571-204	B	15	5	4	4	M4	7	5	2	20	9	8	6	2,5	2,7
04571-205	B	19	7	5	5	M5	9	6	2,5	25	11	10	7	3,5	5,4