

Item description/product images



Description

Material:

Carbon steel.

Version:

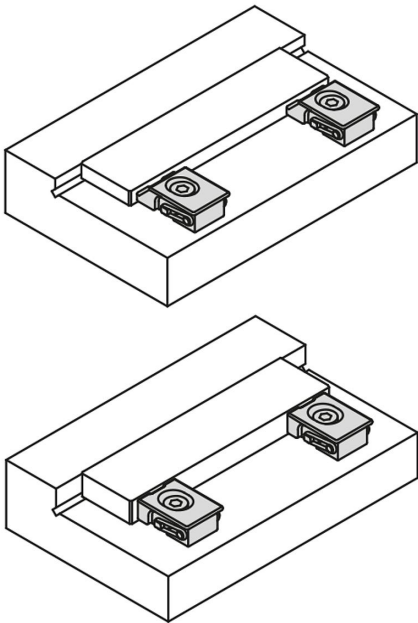
Hardened (33–39 HRC) and black oxidised.

Note:

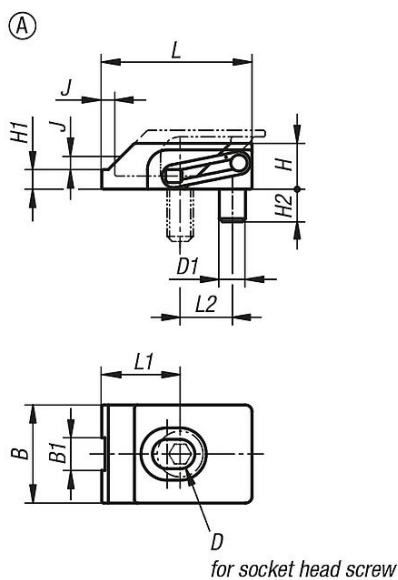
Particularly low workpieces can be clamped using these flat clamps.
Clamping element with pull-down effect.
Clamping element and fixed block in one compact unit.

Drawing reference:

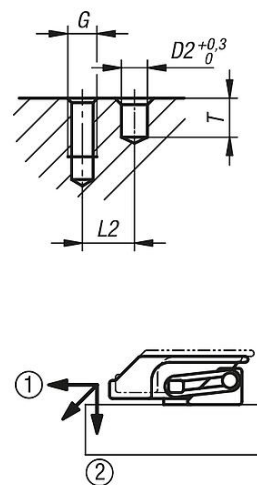
Dimension L1 refers to clamped state.



Drawings



installation instructions



(Jaws exert positive down force)

① Horizontal thrust against workpiece

② Vertical thrust prevents the workpiece lifting

Overview of items

Order No.	Form	B	B1	D1	D2	G	H	H1	H2	J	L	L1	L2	T	Clamping force max. kN	Tightening torque max. Nm
04571-104	A	15	5	4	4	M4	7	3	5	2	23	12	8	6	2	2,7
04571-105	A	19	7	5	5	M5	9	4	6	2,5	28	14	10	7	3	5,4