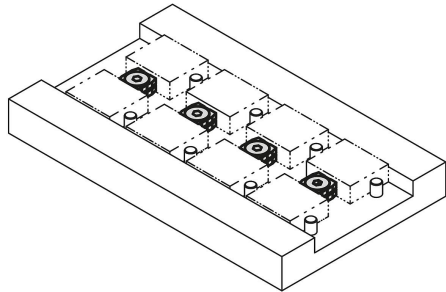


Item description/product images

**Description****Material:**

Carbon steel.

Version:

Jaw plate hardened (33–39 HRC) and black oxidised.

Note:

Due to the functioning principle, wedge clamps are suitable for clamping in series. The wedges generate higher clamping forces.

Wedge clamps with pull-down effect.

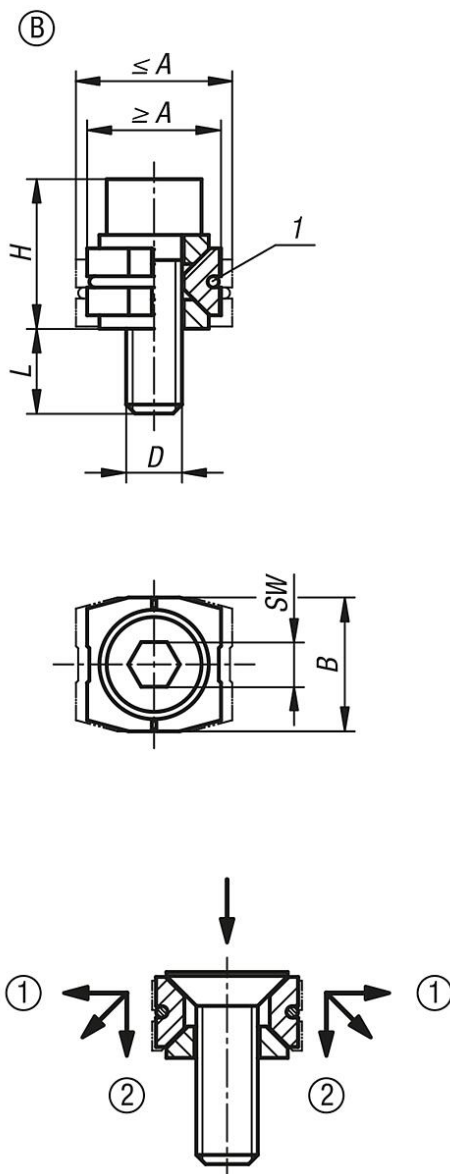
Drawing reference:

Dimension L refers to $\leq A$.

Dimension H refers to $\geq A$.

1) O-ring

Drawings



(Jaws exert positive down force)

- ① Horizontal thrust against workpiece
- ② Vertical thrust prevents the workpiece lifting

Overview of items

Order No.	Form	A min.	A max.	B	D	H	L	SW	Clamping force max. kN	Tightening torque max. Nm
04567-21205	B	12	14	12	M5X16	13,4	9,6	4	3	5,4
04567-21506	B	15	17	14,8	M6X18	15,8	10,2	5	4,5	9,1
04567-21808	B	18,5	21,5	18,4	M8X25	21,2	14,9	6	9	22