

Item description/product images



Description

Material:

Co-polyester elastomer.

Version:

Material hardness Shore 40D.

Note:

Suitable for emergency stop and continual use.

Energy reduction: 25% to 45%.

Dynamic force absorption: 218 N to 3730 N

Impact velocity: max. 5 m/s.

The profile dampers are maintenance-free and are supplied ready to install with a special fastening screw.

Environment: Resistant to microbes, sea water, chemicals and with very good UV and ozone resistance. No water absorption or maceration.

Application:

Linear slides and linear guides, pneumatic cylinders, furniture industry, machines and plants.

Temperature range:

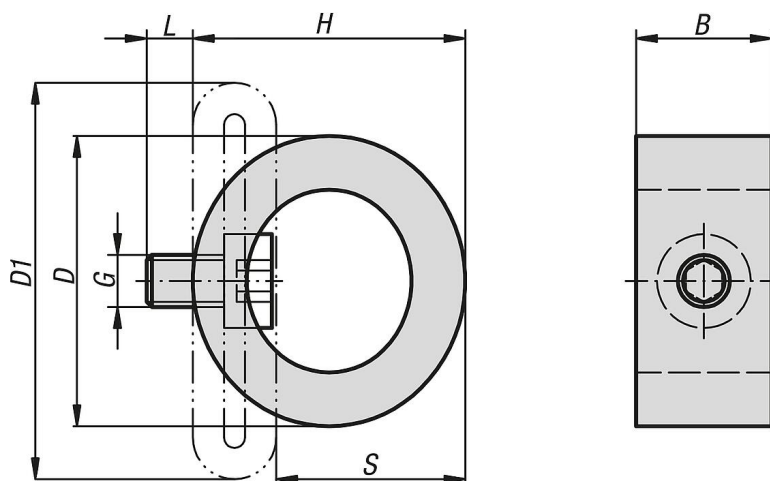
-40 °C to +90 °C

Assembly:

Mounting position: any.

Secure fastening screws with Loctite thread lock.

Drawings



Overview of items

Order No.	B	D	D1	G	H	L	Travel S	max. energy absorption Nm per stroke by permanent load	max. energy absorption Nm per stroke by emergency stop	Tightening torque of screws Nm
26184-02917	13	29	38	M5	25	5	17	1,2	1,8	3
26184-03722	19	37	50	M5	32	5	22	2,3	5,4	3

Overview of items

Order No.	B	D	D1	G	H	L	Travel S	max. energy absorption Nm per stroke by permanent load	max. energy absorption Nm per stroke by emergency stop	Tightening torque of screws Nm
26184-04325	20	43	58	M5	37	5	25	3,5	8,1	3
26184-05035	34	50	68	M5	44	5	35	5,8	8,3	3
26184-06343	43	63	87	M5	55	5	43	12	17	3
26184-06740	46	67	88	M5	59	5	40	23	33	3
26184-07646	46	76	102	M6	67	6	46	34,5	43	6
26184-08350	51	83	109	M6	73	6	50	45	74	6
26184-08550	68	85	111	M8	73	8	50	68	92	20