

Item description/product images



Description

Material:

Co-polyester elastomer.

Version:

Material hardness Shore 40D.

Note:

Suitable for emergency stop and continual use.

Energy reduction: 35% to 64%.

Dynamic force absorption: 533 N to 10110 N

Impact velocity: max. 5 m/s.

The profile dampers are maintenance-free and are supplied ready to install with a special fastening screw.

Environment: Resistant to microbes, sea water, chemicals and with very good UV and ozone resistance. No water absorption or maceration.

Application:

Linear slides and linear guides, pneumatic cylinders, handling equipment, machines and plants

Temperature range:

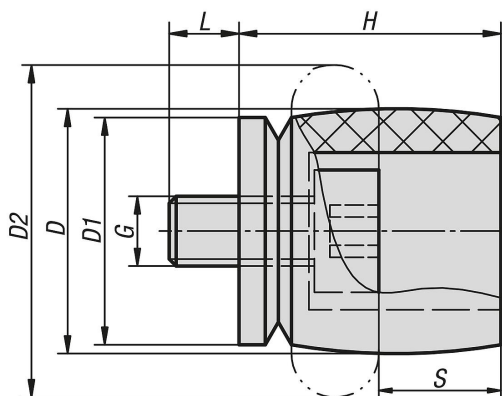
-40 °C to +90 °C

Assembly:

Mounting position: any.

Secure fastening screws with Loctite thread lock.

Drawings



Overview of items

Order No.	D	D1	D2	G	H	L	Travel S	max. energy absorption Nm per stroke by permanent load	max. energy absorption Nm per stroke by emergency stop	Tightening torque of screws Nm
26182-01407	14	13	19	M4	15	4	7	2	3	1,7
26182-01809	18	16	24	M5	18	5	9	4	6	2,3
26182-02010	20	19	27	M6	21	6	10	6	7	6
26182-02615	26	25	37	M6	28	6	15	11,5	15	6
26182-03216	32	30	44	M6	32	6	16	23	26	6

Overview of items

Order No.	D	D1	D2	G	H	L	Travel S	max. energy absorption Nm per stroke by permanent load	max. energy absorption Nm per stroke by emergency stop	Tightening torque of screws Nm
26182-03519	35	33	48	M6	36	6	19	30	36	6
26182-04019	40	34	51	M6	38	6	19	34	42	6
26182-04121	41	38	55	M12	41	12	21	48	63	50
26182-04423	44	40	60	M12	45	12	23	63	72	50
26182-04825	48	44	64	M12	49	12	25	81	91	50
26182-05127	51	47	69	M12	52	12	27	92	114	50
26182-05429	54	50	73	M12	55	12	29	122	158	50
26182-05830	58	53	78	M12	59	12	30	149	154	50
26182-06132	61	56	83	M16	62	16	32	163	169	120
26182-06434	64	60	87	M16	66	16	34	208	254	120