

Item description/product images



Description

Material:

Thermoplastic PPA (resistant to high temperatures), fibreglass reinforced.

Version:

Black.

Note:

The fastening hole is designed to accept the head of a cap or hexagon head screw or a hexagon nut.

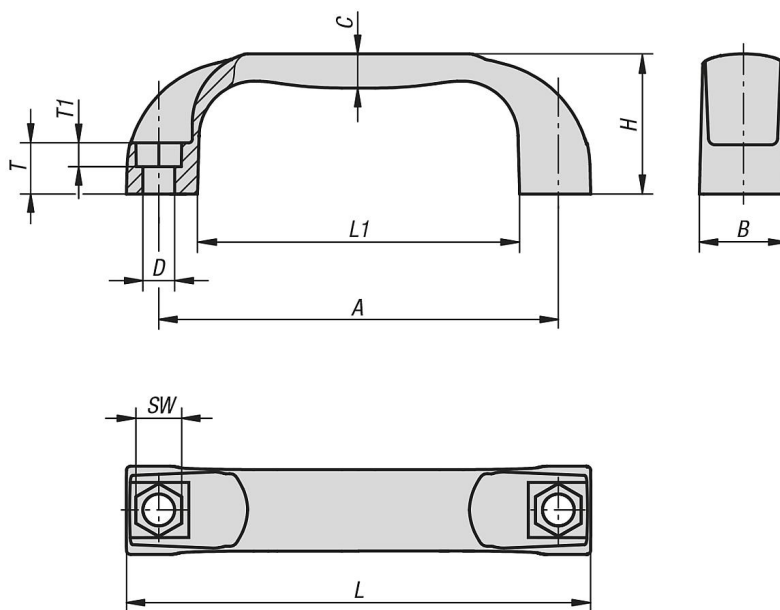
Temperature range:

Continuous operating temperature acc. to IEC 216 max. 150°C - 160°C.
Temporary operating temperature max. 250°C.

Assembly:

From the front or rear.

Drawings



Overview of items

Order No.	A	B	C	D	H	L	L1	SW	T	T1	Load capacity N
06903-311708	117	26	10	9	41	136	94	13	15	8	1500
06903-313208	132	27	11	9	44	154	112	13	16	8	1500
06903-315008	150	27	11	9	44	172	132	13	16	8	1500

