

Item description/product images



## Description

### Material:

Steel or 1.4301 stainless steel.  
Tension spring stainless steel.

### Version:

Steel bright or electro zinc-plated.  
Stainless steel bright.

### Note:

Butt type hinges.  
Opening angle 270°.

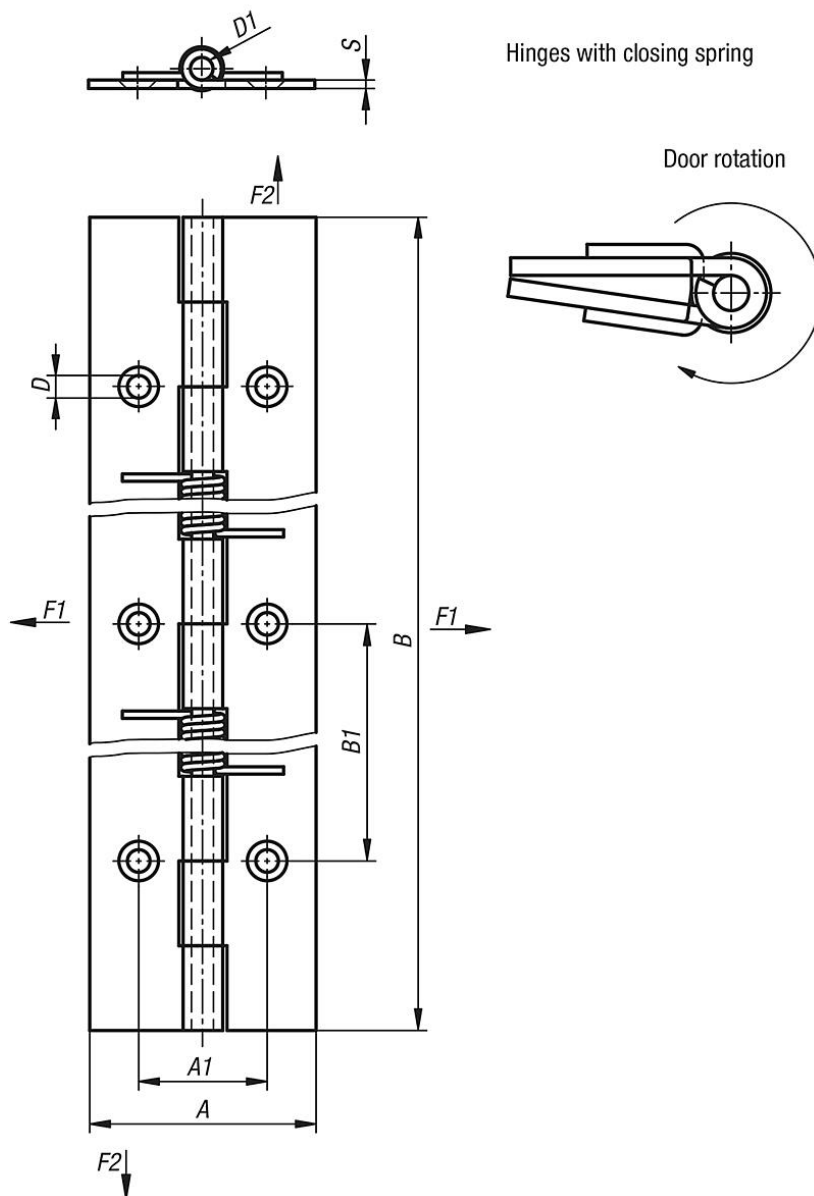
### Spring torque:

M(0°): 0.56 Nm / M(90°): 1.1 Nm / M(180°): 1.7 Nm

Form A: without holes

Form B: with holes

Drawings



Overview of items

Order No.	Form	Version 1	Main material	Main colour	A	A1	B	B1	D	D1	S
27903-4018010	A	spring closed	steel	-	40	-	180	-	-	4	1,5
27903-4018011	B	spring closed	steel	-	40	22,7	180	60	4	4	1,5
27903-14018010	A	spring closed	stainless steel A2	-	40	-	180	-	-	4	1,5
27903-14018011	B	spring closed	stainless steel A2	-	40	22,7	180	60	4	4	1,5