

Item description/product images



Description

Note:

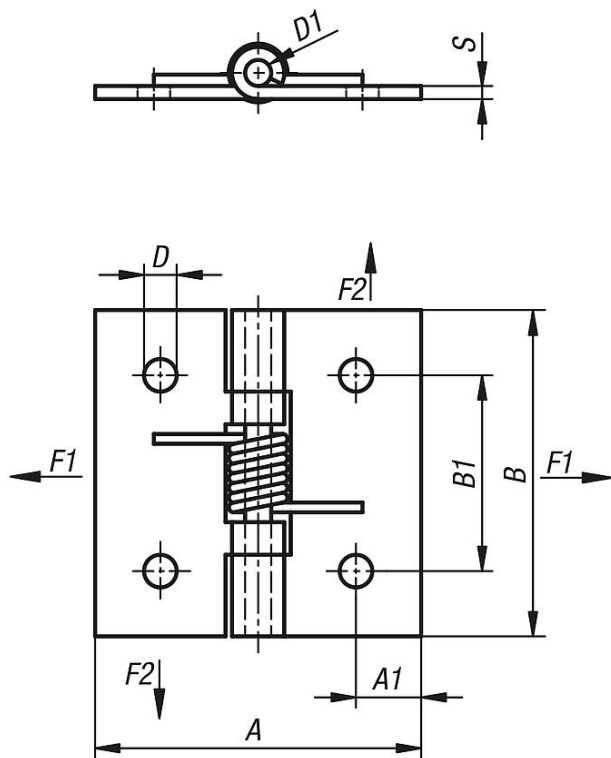
Butt type hinges.
Opening angle 270°.

Spring torque:

M(0°): 0.25 Nm / M(90°): 0.65 Nm / M(180°): 1.1 Nm

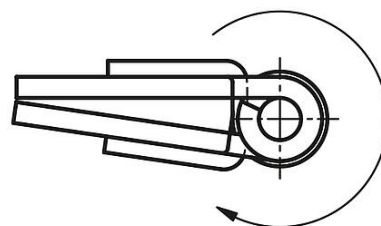
By the aluminum hinges, the tension springs are steel alloyed with Zn/Al.

Drawings



Hinges with closing spring

Door rotation



Overview of items

Order No.	Main material	A	A1	B	B1	D	D1	S
27900-50501	steel	50	9	50	30	5	4	2

Overview of items

Order No.	Main material	A	A1	B	B1	D	D1	S
27900-150501	stainless steel A2	50	10	50	30	5	4	2
27900-250501	aluminium	50	9	50	30	5	4	2