

Item description/product images



Description

Material:

Steel.

Version:

Grade 10.

Plastic-coated, red.

Latch forged and electro zinc-plated.

Note:

Slip hooks with forged latch.

The hooks correspond to the Machinery Directive and are BG certified (H stamp).

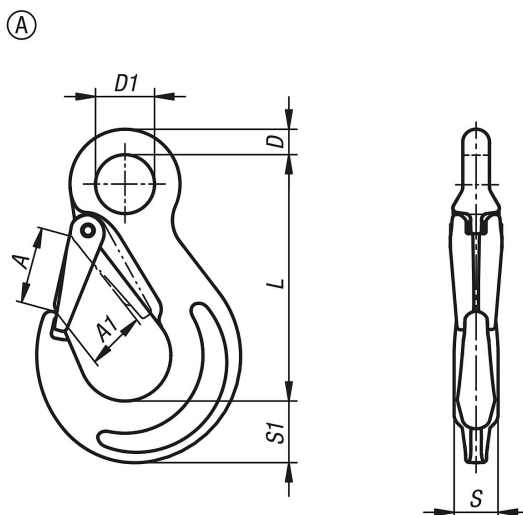
Temperature range:

From -40°C to 200°C = 100% permissible load

Up to 300°C = 90% permissible load

Up to 400°C = 75% permissible load

Drawings



Overview of items

Order No.	Form	for chain mm	A	A1	D	D1	L	S	S1	Permissible load kg
07791-11001400	A	6	26	19	10	20,5	85	16	20	1400
07791-11002500	A	7-8	33	26	11	25	105	19	29	2500
07791-11004000	A	10	40	31	16	34	131	26	33	4000
07791-11006700	A	13	51	40	19	43	163	33	45	6700
07791-11010000	A	16	66	45	24,5	50	183	40	50	10000

