

Item description/product images



Description

Material:

Steel.

Version:

Grade 10.

Plastic-coated, red.

Note:

When lifting the load, the safety latch closes automatically and is securely locked by a locking mechanism at the rear of the hook. To open the latch, the locking mechanism must be unlocked manually.

The hooks correspond to the Machinery Directive and are BG certified (H stamp).

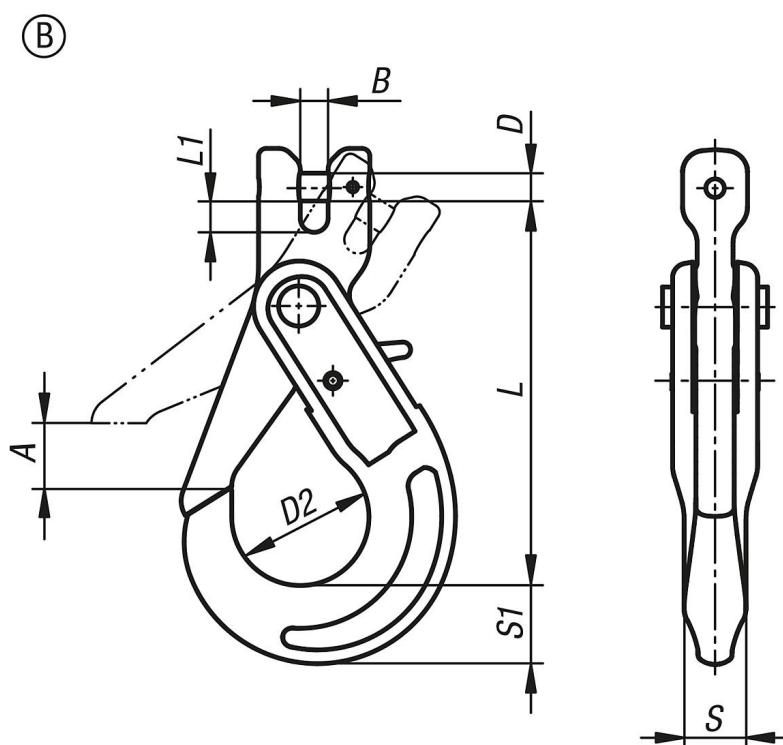
Temperature range:

From -40°C to 200°C = 100% permissible load

Up to 300°C = 90% permissible load

Up to 400°C = 75% permissible load

Drawings



Overview of items

Order No.	Form	for chain mm	A	B	D	D2	L	L1	S	S1	Permissible load kg
07792-21001400	B	6	28	7	7,5	35	94	8	16	21	1400

Overview of items

Order No.	Form	for chain mm	A	B	D	D2	L	L1	S	S1	Permissible load kg
07792-21001900	B	7	34	9	9	43	123	10	20	26	1900
07792-21002500	B	8	34	9	10	43	123	10	20	26	2500
07792-21004000	B	10	45	12	13	56	143	14	25	30	4000
07792-21006700	B	13	51	15	16	69	180	17	35	40	6700
07792-21010000	B	16	60	19	21	80	215	19	36	50	10000