

Item description/product images



Description

Material:

Steel.

Version:

Grade 10.

Plastic-coated, red.

Note:

When lifting the load, the safety latch closes automatically and is securely locked by a locking mechanism at the rear of the hook. To open the latch, the locking mechanism must be unlocked manually.

The hooks correspond to the Machinery Directive and are BG certified (H stamp).

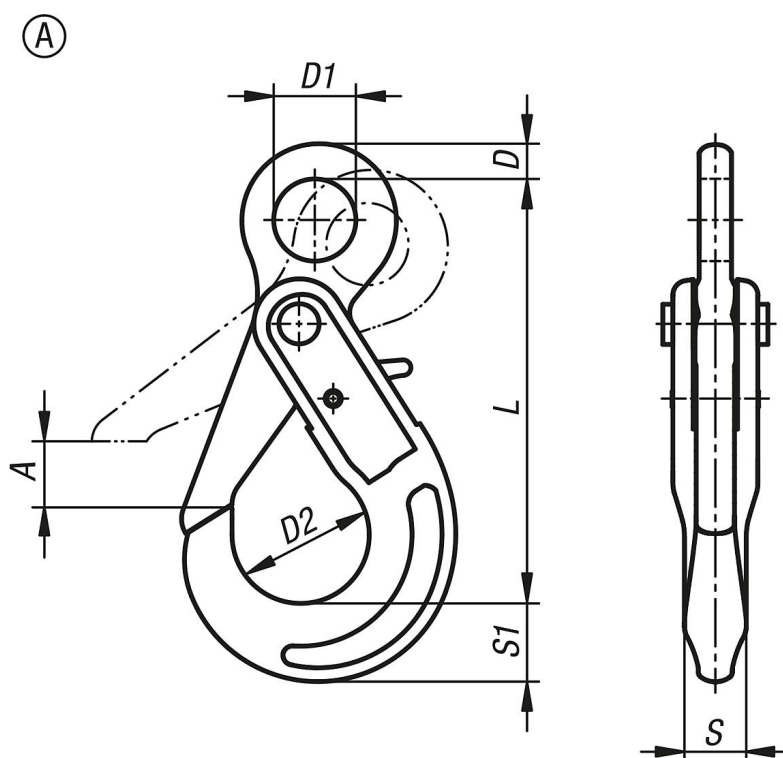
Temperature range:

From -40°C to 200°C = 100% permissible load

Up to 300°C = 90% permissible load

Up to 400°C = 75% permissible load

Drawings



Overview of items

Order No.	Form	for chain mm	A	D	D1	D2	L	S	S1	Permissible load kg
07792-11001400	A	6	28	11	21	35	109	16	21	1400

Overview of items

Order No.	Form	for chain mm	A	D	D1	D2	L	S	S1	Permissible load kg
07792-11002500	A	7-8	34	12	25	43	135	20	26	2500
07792-11004000	A	10	45	16	33	56	168	25	30	4000
07792-11006700	A	13	51	20	40	69	205	35	40	6700
07792-11010000	A	16	60	27	50	80	251	36	50	10000