

Item description/product images



Description

Material:

Steel.

Version:

Grade 10.

Plastic-coated, red.

Latch forged and electro zinc-plated.

Note:

Slip hooks with forged latch.

The hooks correspond to the Machinery Directive and are BG certified (H stamp).

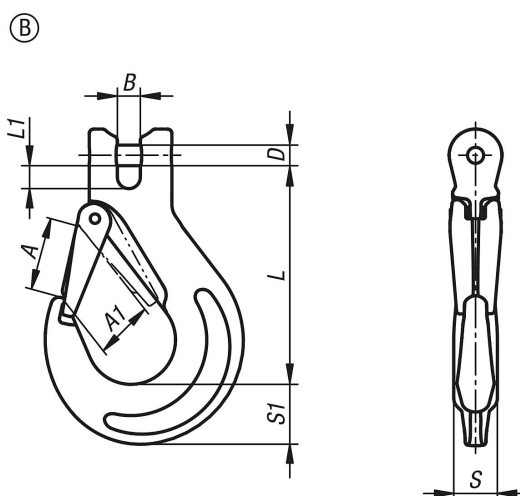
Temperature range:

From -40°C to 200°C = 100% permissible load

Up to 300°C = 90% permissible load

Up to 400°C = 75% permissible load

Drawings



Overview of items

Order No.	Form	for chain mm	A	A1	B	D	L	L1	S	S1	Permissible load kg
07791-21001400	B	6	26	19	7,2	7,5	69	8	15	20	1400
07791-21001900	B	7	34	26	9,5	9	95	10	19	28	1900
07791-21002500	B	8	34	26	9,5	10	95	10	19	28	2500
07791-21004000	B	10	40	31	12	13	110	13,5	25	33	4000
07791-21006700	B	13	51	40	15	16	136	17	30	40	6700
07791-21010000	B	16	56	45	18	20	155	22	37	48	10000

