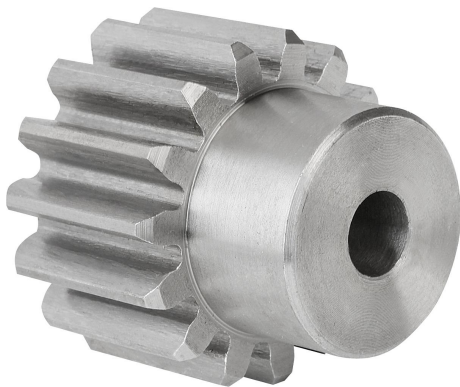


Item description/product images



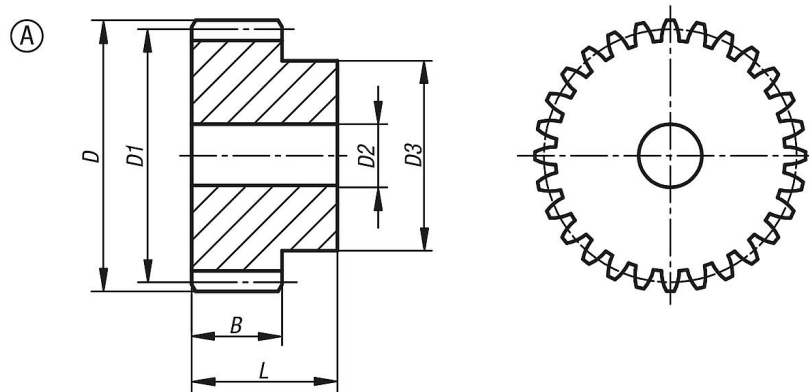
Description

**Material:**  
Steel 1.0503 (C45).

**Version:**  
Milled tothing, straight teeth.  
Engagement angle 20°, bright.

**Note:**  
The spur gears have a centre bore or pilot hole (this can vary due to manufacturing methods). For this reason, the dimension D2 max. given in the table is the maximum diameter of the bore with which the spur gears are supplied. This pilot/centre bore can be amended by the customer to produce a reamed bore, reamed bore with keyway or a tapped hole. Alternatively, customers can also use bushes to reduce the bore diameter.

Drawings



Overview of items

Order No.	Form	No. of teeth	D	D1	D2 max.	D3	B	L
22400-0130300012	A	12	42	36	12	27	30	50
22400-0130300013	A	13	45	39	12	30	30	50
22400-0130300014	A	14	48	42	12	33	30	50
22400-0130300015	A	15	51	45	12	35	30	50
22400-0130300016	A	16	54	48	14	38	30	50
22400-0130300017	A	17	57	51	14	42	30	50
22400-0130300018	A	18	60	54	14	45	30	50
22400-0130300019	A	19	63	57	14	45	30	50
22400-0130300020	A	20	66	60	14	45	30	50
22400-0130300021	A	21	69	63	20	45	30	50
22400-0130300022	A	22	72	66	20	50	30	50
22400-0130300023	A	23	75	69	20	50	30	50
22400-0130300024	A	24	78	72	20	50	30	50
22400-0130300025	A	25	81	75	20	60	30	50
22400-0130300026	A	26	84	78	20	60	30	50
22400-0130300027	A	27	87	81	20	60	30	50
22400-0130300028	A	28	90	84	20	60	30	50
22400-0130300029	A	29	93	87	20	60	30	50
22400-0130300030	A	30	96	90	20	60	30	50
22400-0130300031	A	31	99	93	20	60	30	50
22400-0130300032	A	32	102	96	20	70	30	50
22400-0130300033	A	33	105	99	20	70	30	50
22400-0130300034	A	34	108	102	20	70	30	50
22400-0130300035	A	35	111	105	20	70	30	50

Overview of items

Order No.	Form	No. of teeth	D	D1	D2 max.	D3	B	L
22400-0130300036	A	36	114	108	20	70	30	50
22400-0130300037	A	37	117	111	20	70	30	50
22400-0130300038	A	38	120	114	20	80	30	50
22400-0130300039	A	39	123	117	20	80	30	50
22400-0130300040	A	40	126	120	20	80	30	50
22400-0130300041	A	41	129	123	20	80	30	50
22400-0130300042	A	42	132	126	20	80	30	50
22400-0130300043	A	43	135	129	20	80	30	50
22400-0130300044	A	44	138	132	20	90	30	50
22400-0130300045	A	45	141	135	20	90	30	50
22400-0130300046	A	46	144	138	20	90	30	50
22400-0130300047	A	47	147	141	20	100	30	50
22400-0130300048	A	48	150	144	20	100	30	50