

## Item description/product images



## Description

**Material:**

Plates, thermoplastic, glass bead reinforced.  
Anti-slip plate thermoplastic elastomer.

**Version:**

Black.

**Note:**

Swivel feet consist of a plate and a threaded spindle or ball joint. Any plate can be combined with any threaded spindle or ball joint. The anti-slip plate absorbs vibrations and prevents the swivel foot slipping.  
For matching threaded spindles see 27810.  
For matching ball joints see 27811.

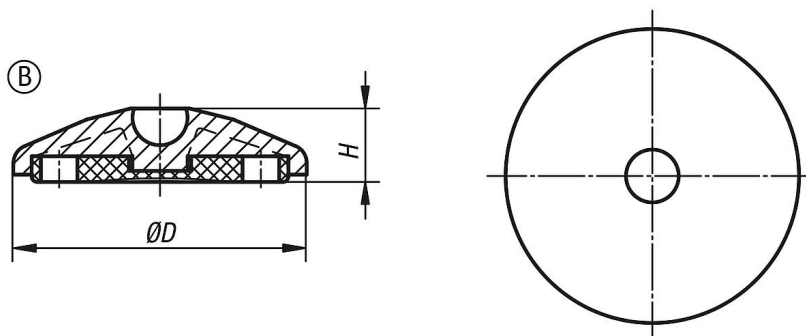
**Safety:**

These ESD products can also be used for devices, components and protection systems in areas with high risk of explosion.  
Use of these ESD products prevents the occurrence of electrostatic spark discharges, eliminating the potential ignition of gases and dusts which could lead to explosions in enclosed spaces.  
Manufacturers and operators must use and conform to ATEX directives for the protection of persons working in areas with high risk of explosion.  
These ESD products are certified by TÜV-Süd in relation to their electrical discharge capability.

**Target groups:**

Device manufacturers required to conform to ATEX product directive 2014/34/EU.  
Operators required to conform to ATEX worker protection directive 1999/92/EC.

## Drawings



## Overview of items

Order No.	Form	Size	D	H	Load rating max. kN
27800-12040	B	40	39	20	9
27800-12050	B	50	49	20	9
27800-12060	B	60	59	20	9

