

## Item description/product images



## Description

**Material:**

Steel.

**Version:**

Electro zinc-plated.

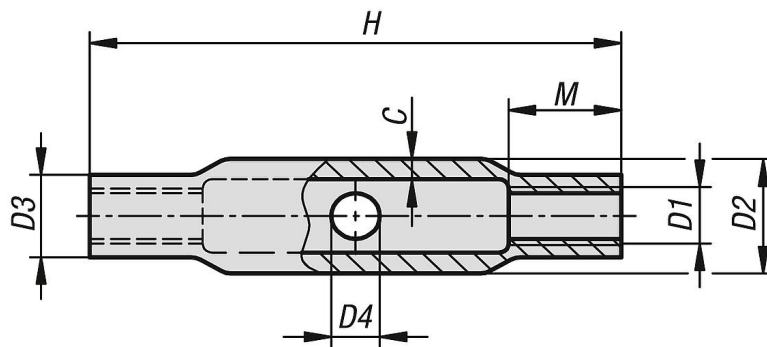
**Note:**

These steel tube turnbuckle nuts are closed form and have a RH thread one end and LH thread other end.

The turnbuckle nuts conform with the German BRL (A) and bear the Ü symbol (ÜZ – Certificate of conformity from a recognised certification authority).

The core  $\emptyset$  of the internal thread may be slightly larger than standard, this does not effect the function.

## Drawings



## Overview of items

Order No.	C	D1	D2	D3	D4	H	M	Load capacity N
07221-08	3,6	M8	17,2	12	8	110	10	10000
07221-10	4	M10	21,3	15	8	125	12	16000
07221-12	4	M12	25	18	10	125	15	24000
07221-16	4,5	M16	30	22,5	10	170	20	44000
07221-20	5	M20	33,7	27	12	200	24	69000
07221-24	5,6	M24	42,4	32	12	255	29	100000
07221-30	6,3	M30	51	38	16	255	36	158000