

Item description/product images



Description

Material:

Steel 1.0503 (C45).

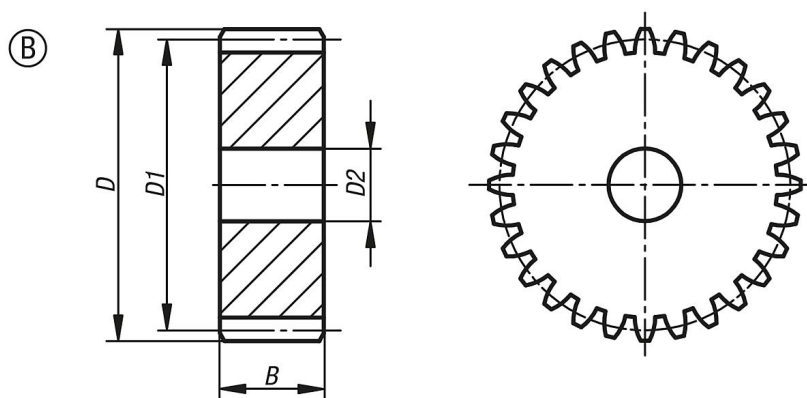
Version:

Milled tothing, straight teeth.
Engagement angle 20°, bright.

Note:

The spur gears have a centre bore or pilot hole (this can vary due to manufacturing methods). For this reason, the dimension D2 max. given in the table is the maximum diameter of the bore with which the spur gears are supplied. This pilot/centre bore can be amended by the customer to produce a reamed bore, reamed bore with keyway or a tapped hole. Alternatively, customers can also use bushes to reduce the bore diameter.

Drawings



Overview of items

Order No.	Form	No. of teeth	D	D1	D2 max.	B
22400-0215170072	B	72	111	108	20	17
22400-0215170075	B	75	115,5	112,5	20	17
22400-0215170076	B	76	117	114	20	17
22400-0215170080	B	80	123	120	20	17
22400-0215170085	B	85	130,5	127,5	20	17
22400-0215170090	B	90	138	135	20	17
22400-0215170095	B	95	145,5	142,5	20	17
22400-0215170100	B	100	153	150	20	17
22400-0215170110	B	110	168	165	20	17
22400-0215170114	B	114	174	171	20	17
22400-0215170120	B	120	183	180	20	17
22400-0215170127	B	127	193,5	190,5	20	17