

Item description/product images



Description

Material:

Steel 1.0503 (C45).

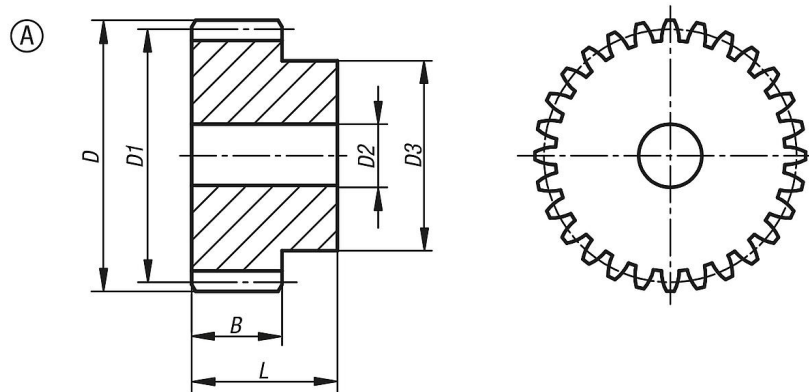
Version:

Milled tothing, straight teeth.
Engagement angle 20°, bright.

Note:

The spur gears have a centre bore or pilot hole (this can vary due to manufacturing methods). For this reason, the dimension D2 max. given in the table is the maximum diameter of the bore with which the spur gears are supplied. This pilot/centre bore can be amended by the customer to produce a reamed bore, reamed bore with keyway or a tapped hole. Alternatively, customers can also use bushes to reduce the bore diameter.

Drawings



Overview of items

Order No.	Form	No. of teeth	D	D1	D2 max.	D3	B	L
22400-0115170012	A	12	21	18	8	14	17	30
22400-0115170013	A	13	22,5	19,5	8	15	17	30
22400-0115170014	A	14	24	21	8	17	17	30
22400-0115170015	A	15	25,5	22,5	8	18	17	30
22400-0115170016	A	16	27	24	8	19	17	30
22400-0115170017	A	17	28,5	25,5	8	20	17	30
22400-0115170018	A	18	30	27	8	20	17	30
22400-0115170019	A	19	31,5	28,5	8	20	17	30
22400-0115170020	A	20	33	30	8	25	17	30
22400-0115170021	A	21	34,5	31,5	10	25	17	30
22400-0115170022	A	22	36	33	10	25	17	30
22400-0115170023	A	23	37,5	34,5	10	25	17	30
22400-0115170024	A	24	39	36	10	25	17	30
22400-0115170025	A	25	40,5	37,5	10	25	17	30
22400-0115170026	A	26	42	39	12	30	17	30
22400-0115170027	A	27	43,5	40,5	12	30	17	30
22400-0115170028	A	28	45	42	12	30	17	30
22400-0115170029	A	29	46,5	43,5	12	30	17	30
22400-0115170030	A	30	48	45	12	30	17	30
22400-0115170031	A	31	49,5	46,5	12	35	17	30
22400-0115170032	A	32	51	48	12	35	17	30
22400-0115170033	A	33	52,5	49,5	12	35	17	30
22400-0115170034	A	34	54	51	12	35	17	30
22400-0115170035	A	35	55,5	52,5	12	35	17	30

Overview of items

Order No.	Form	No. of teeth	D	D1	D2 max.	D3	B	L
22400-0115170036	A	36	57	54	12	35	17	30
22400-0115170037	A	37	58,5	55,5	12	40	17	30
22400-0115170038	A	38	60	57	12	40	17	30
22400-0115170039	A	39	61,5	58,5	12	40	17	30
22400-0115170040	A	40	63	60	12	40	17	30
22400-0115170041	A	41	64,5	61,5	12	40	17	30
22400-0115170042	A	42	66	63	12	50	17	30
22400-0115170043	A	43	67,5	64,5	12	50	17	30
22400-0115170044	A	44	69	66	12	50	17	30
22400-0115170045	A	45	70,5	67,5	12	50	17	30
22400-0115170046	A	46	72	69	14	50	17	30
22400-0115170047	A	47	73,5	70,5	14	50	17	30
22400-0115170048	A	48	75	72	14	50	17	30
22400-0115170049	A	49	76,5	73,5	14	50	17	30
22400-0115170050	A	50	78	75	14	50	17	30
22400-0115170051	A	51	79,5	76,5	14	60	17	30
22400-0115170052	A	52	81	78	14	60	17	30
22400-0115170053	A	53	82,5	79,5	14	60	17	30
22400-0115170054	A	54	84	81	14	60	17	30
22400-0115170055	A	55	85,5	82,5	14	60	17	30
22400-0115170056	A	56	87	84	20	60	17	30
22400-0115170057	A	57	88,5	85,5	20	60	17	30
22400-0115170058	A	58	90	87	20	60	17	30
22400-0115170059	A	59	91,5	88,5	20	60	17	30
22400-0115170060	A	60	93	90	20	60	17	30
22400-0115170061	A	61	94,5	91,5	20	70	17	30
22400-0115170062	A	62	96	93	20	70	17	30
22400-0115170063	A	63	97,5	94,5	20	70	17	30
22400-0115170064	A	64	99	96	20	70	17	30
22400-0115170065	A	65	100,5	97,5	20	70	17	30
22400-0115170066	A	66	102	99	20	70	17	30
22400-0115170067	A	67	103,5	100,5	20	70	17	30
22400-0115170068	A	68	105	102	20	70	17	30
22400-0115170069	A	69	106,5	103,5	20	70	17	30
22400-0115170070	A	70	108	105	20	70	17	30