

Item description/product images



Description

Material:

Steel or grey cast iron.

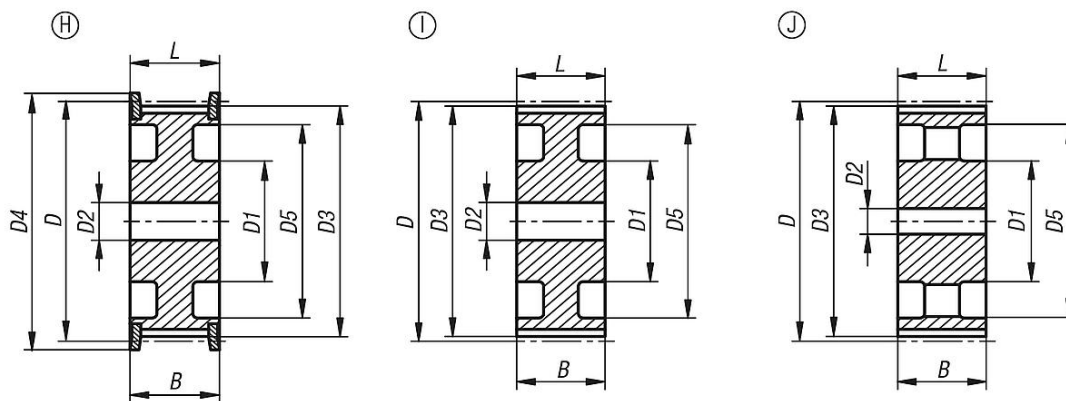
Version:

Phosphated

Note:

Standard HTD profile with metric pitch (half-round toothing). At least one belt pulley must have a rim flange. The toothed belt pulleys have a centre bore or a pilot hole (this can vary due to manufacturing methods). For this reason, the dimension D2 max. given in the table is the maximum diameter of the bore with which the toothed belt pulleys are supplied. This pilot/centre bore can be amended by the customer to produce a reamed bore, reamed bore with keyway or a tapped hole. Alternatively, customers can also use bushes to reduce the bore diameter.

Drawings



Overview of items

Order No.	Form	Main material	No. of teeth	D	D1 max.	D2 max.	D3	D4 max.	D5	B	L
22004-0850018	A	steel	18	45,84	32	12	44,46	51	-	60	70
22004-0850020	A	steel	20	50,93	36	12	49,56	57	-	60	70
22004-0850022	A	steel	22	56,02	43	12	54,65	62	-	60	70
22004-0850024	A	steel	24	61,12	49	12	59,74	67	-	60	70
22004-0850026	A	steel	26	66,21	50	12	64,84	73	-	60	70
22004-0850028	A	steel	28	71,3	55	14	69,93	77	-	60	70
22004-0850030	A	steel	30	76,39	60	14	75,02	84	-	60	70
22004-0850032	A	steel	32	81,49	64	14	80,12	88	-	60	70
22004-0850034	A	steel	34	86,58	70	14	85,21	94	-	60	70
22004-0850036	A	steel	36	91,67	75	14	90,3	98	-	60	70
22004-0850038	A	steel	38	96,77	80	14	95,39	104	-	60	70
22004-0850040	A	steel	40	101,86	85	14	100,49	108	-	60	70
22004-0850044	A	grey cast iron	44	112,05	96	14	110,67	121	-	60	70
22004-0850048	A	grey cast iron	48	122,23	104	14	120,86	129	-	60	70
22004-0850056	H	grey cast iron	56	142,6	90	18	141,23	150	117	60	60
22004-0850060	H	grey cast iron	60	152,79	100	18	151,42	158	127	60	60
22004-0850064	H	grey cast iron	64	162,97	100	18	161,6	168	137	60	60
22004-0850072	H	grey cast iron	72	183,35	100	18	181,97	192	158	60	60
22004-0850080	I	grey cast iron	80	203,72	110	18	202,35	-	179	60	60
22004-0850084	J	grey cast iron	84	213,9	110	18	212,53	-	190	60	60
22004-0850090	J	grey cast iron	90	229,18	110	18	227,81	-	204	60	60
22004-0850112	J	grey cast iron	112	285,21	110	20	283,83	-	260	60	60
22004-0850144	J	grey cast iron	144	366,69	110	20	365,32	-	342	60	60

Overview of items

Order No.	Form	Main material	No. of teeth	D	D1 max.	D2 max.	D3	D4 max.	D5	B	L
22004-0850168	J	grey cast iron	168	427,8	120	20	426,42	-	403	60	60
22004-0850192	J	grey cast iron	192	488,92	130	20	487,54	-	465	60	60