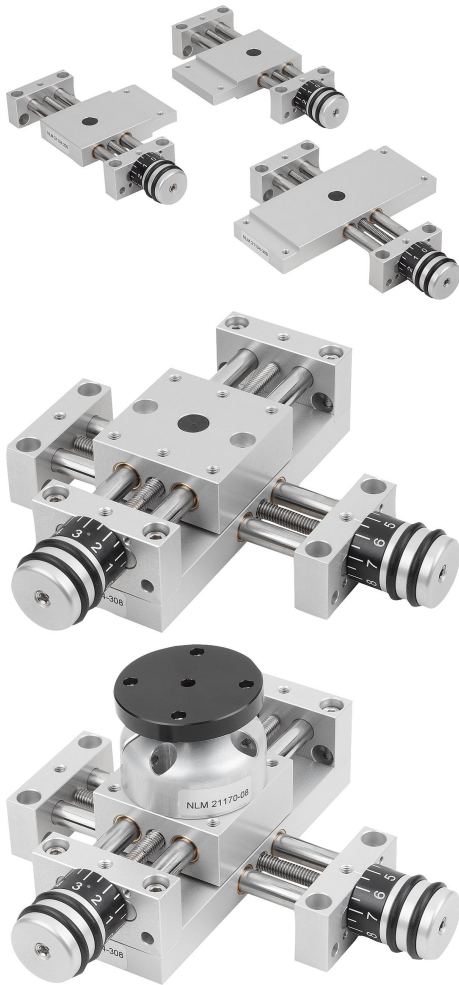


## Item description/product images



## Description

**Material:**

Bearing block and carriage aluminium alloy, anodised.  
 Guide columns stainless steel, ground.  
 Spindle stainless steel, rolled thread.  
 Guide bearing maintenance-free.

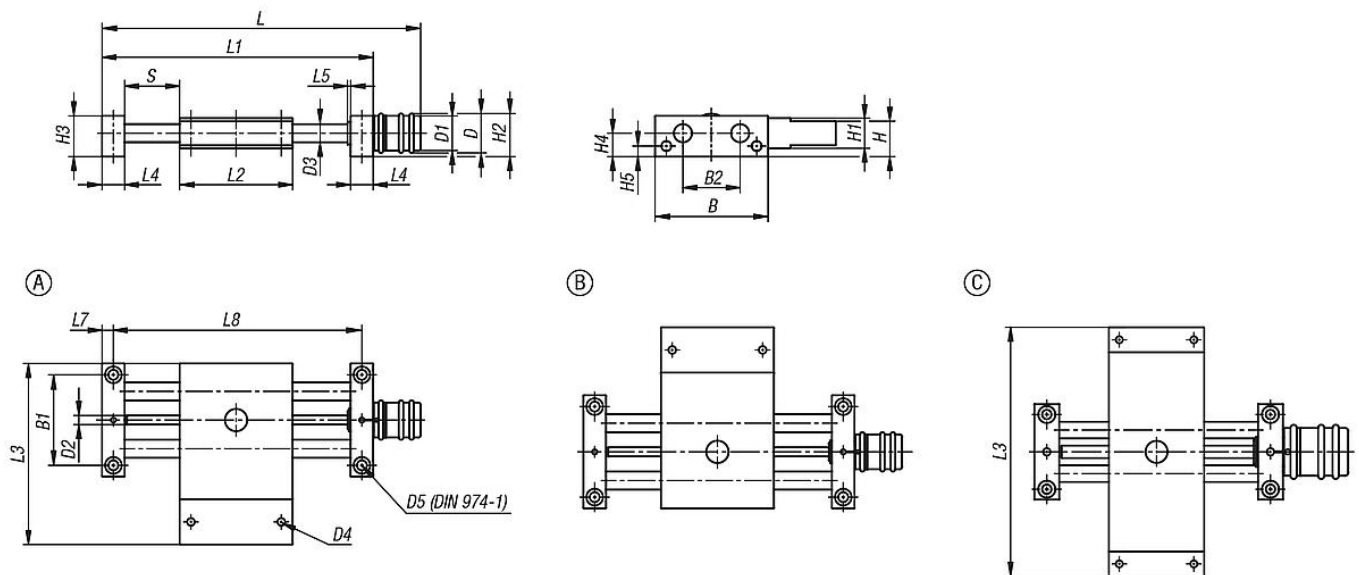
**Version:**

Radial play on guide < 0.02 mm.  
 No axial backlash.  
 Spindle self-locking, with additional lock.

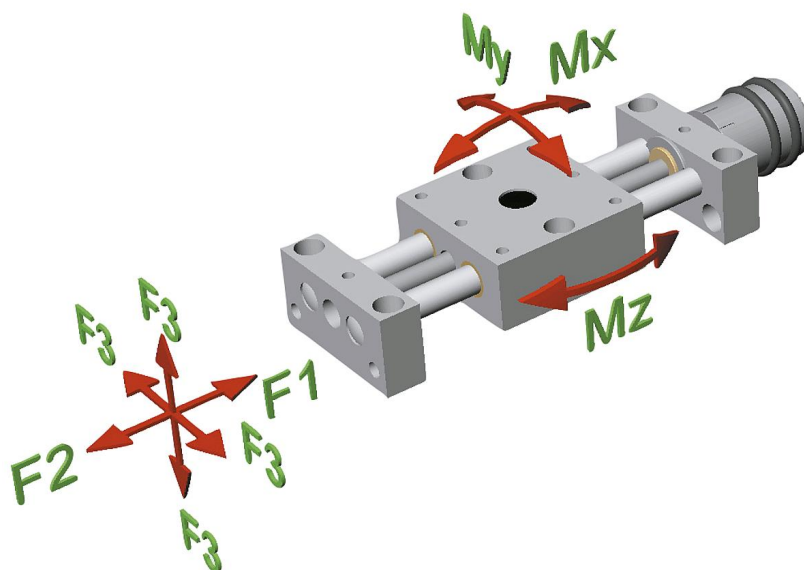
**Note:**

The almost play-free guides and absolutely play-free spindle allow for adjustment without the need to loosen or clamp the spindle.  
 The scale graduation is in 5 or 10 increments; 1 increment corresponds to 0.1 mm of travel.  
 The cross stage can be easily combined with positioning stages, vertical stages and other accessories of respective size by the modular principle.

## Drawings



Drawings



Overview of items

Order No.	Form	B	B1	B2	D	D1	D2	D3	D4	D5	H	H1	H2	H3	H4	H5	L	L1	L2	L3	L4	L5	L7	L8	Travel S	F1 N	F2 N	F3 N	Mx Nm	My Nm	Mz Nm
21134-104	A	29	22	12	13	11,5	M3x0,5	4	M3	3	11	8	14,5	13	8	4	84,5	70	29	46	8	1,5	4	62	23	70	70	70	0,77	0,77	0,77
21134-108	A	46	36	21	26	23	M6x1	8	M4	4	18	14	27	23	14	6	148,5	120	46	75	12	2	6	108	48	200	200	200	3,6	3,6	3,6
21134-112	A	75	60	38	26	23	M6x1	12	M6	6	23,5	20	29	27	15,5	7	209	180	75	120	15	2	7,5	165	73	300	300	300	18	18	18
21134-204	B	29	22	12	13	11,5	M3x0,5	4	M3	3	11	8	14,5	13	8	4	84,5	70	29	46	8	1,5	4	62	23	70	70	70	0,77	0,77	0,77
21134-208	B	46	36	21	26	23	M6x1	8	M4	4	18	14	27	23	14	6	148,5	120	46	75	12	2	6	108	48	200	200	200	3,6	3,6	3,6
21134-212	B	75	60	38	26	23	M6x1	12	M6	6	23,5	20	29	27	15,5	7	209	180	75	120	15	2	7,5	165	73	300	300	300	18	18	18
21134-304	C	29	22	12	13	11,5	M3x0,5	4	M3	3	11	8	14,5	13	8	4	84,5	70	29	70	8	1,5	4	62	23	70	70	70	0,77	0,77	0,77
21134-308	C	46	36	21	26	23	M6x1	8	M4	4	18	14	27	23	14	6	148,5	120	46	120	12	2	6	108	48	200	200	200	3,6	3,6	3,6
21134-312	C	75	60	38	26	23	M6x1	12	M6	6	23,5	20	29	27	15,5	7	209	180	75	180	15	2	7,5	165	73	300	300	300	18	18	18