

Item description/product images



Description

Material:

Housing, actuator and nut die-cast zinc.
O-ring NBR, flat seal CR.
Tongue steel.

Version:

Housing trivalent passivated.
Actuator trivalent passivated or black powder-coated.
Nut and tongue electro zinc-plated.

Note:

For right or left mounting with 90° closing and internal rotation limit. The quarter-turn lock can be installed pre-assembled (limitations by a small A-dimension and thick doors). The fastening nut is an earthing nut with teeth one side.

Dust and waterproof as per IP65 through an O-ring and flat seal.

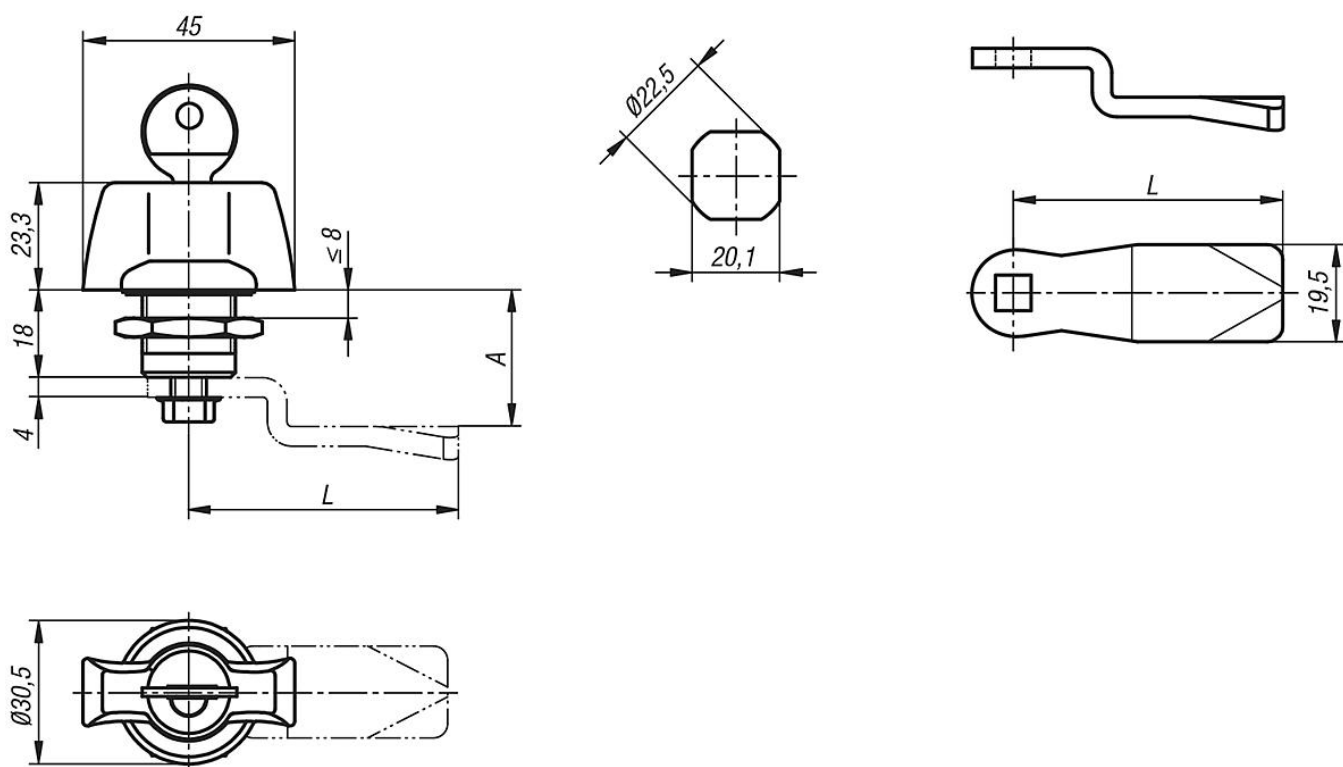
The lockable quarter-turn locks are each supplied with 2 keys. The key can be removed in both positions (open and closed). The locks are keyed alike, i.e. they can all be opened using the same key (lock type 101 or 1333).

Please order required tongue version separately. Every tongue can be combined with every housing.

Accessory:

Lock key 05586

Drawings



Overview of items

Quarter-turn locks with wing grip

Order No.	Finish	Actuation	Version
05571-1181	chromed	grip	-
05571-2181	chromed	lockable grip	lock 101
05571-3181	chromed	lockable grip	lock 1333
05571-1182	black powder-coated	grip	-
05571-2182	black powder-coated	lockable grip	lock 101
05571-3182	black powder-coated	lockable grip	lock 1333

Tongue for quarter-turn locks

Order No.	A	L
05570-145X040	-	45
05570-145X060	-	45
05570-145X080	-	45
05570-145X100	-	45
05570-145X120	-	45
05570-145X140	-	45
05570-145X160	-	45
05570-145X180	-	45
05570-145X200	-	45
05570-145X220	-	45
05570-145X240	-	45
05570-145X260	-	45
05570-145X280	-	45
05570-145X300	-	45
05570-145X320	-	45
05570-145X340	-	45
05570-145X360	-	45
05570-145X380	-	45
05570-145X400	-	45
05570-145X420	-	45
05570-145X440	-	45
05570-145X460	-	45
05570-145X480	-	45
05570-145X500	-	45
05570-135X160	-	35
05570-135X180	-	35
05570-135X200	-	35
05570-135X220	-	35
05570-135X240	-	35