

Item description/product images



Description

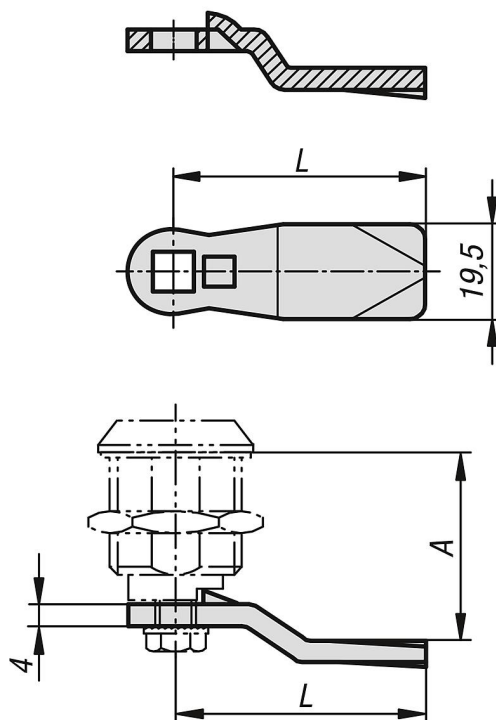
Material:

Steel.

Version:

Electro zinc-plated.

Drawings



Overview of items

Order No.	Main material	A for housing length H=18	A for housing length H=30	A for housing length H=40	A for housing length H=50	L
05569-135X160	steel	16	28	38	48	35
05569-135X180	steel	18	30	40	50	35
05569-135X200	steel	20	32	42	52	35
05569-135X220	steel	22	34	44	54	35
05569-135X240	steel	24	36	46	56	35
05569-145X040	steel	4	16	26	36	45
05569-145X060	steel	6	18	28	38	45
05569-145X080	steel	8	20	30	40	45
05569-145X100	steel	10	22	32	42	45
05569-145X120	steel	12	24	34	44	45
05569-145X140	steel	14	26	36	46	45
05569-145X160	steel	16	28	38	48	45
05569-145X180	steel	18	30	40	50	45

Overview of items

Order No.	Main material	A for housing length H=18	A for housing length H=30	A for housing length H=40	A for housing length H=50	L
05569-145X200	steel	20	32	42	52	45
05569-145X220	steel	22	34	44	54	45
05569-145X240	steel	24	36	46	56	45
05569-145X260	steel	26	38	48	58	45
05569-145X280	steel	28	40	50	60	45
05569-145X300	steel	30	42	52	62	45
05569-145X320	steel	32	44	54	64	45
05569-145X340	steel	34	46	56	66	45
05569-145X360	steel	36	48	58	68	45
05569-145X380	steel	38	50	60	70	45
05569-145X400	steel	40	52	62	72	45
05569-145X420	steel	42	54	64	74	45