

Item description/product images



Description

Material:

Steel.

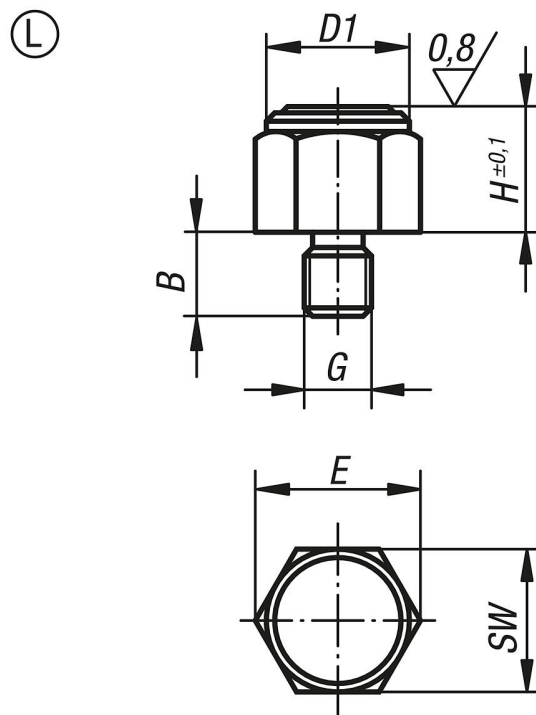
Version:

Case-hardened and black oxidised.

Note:

Positioning feet are used as supports, stops and thrust pads for fixtures and general machine and appliance construction.

Drawings



Overview of items

Order No.	Form	B	D1	G	H	E	SW	Tightening torque max. Nm
02040-8101	L	10	17	M8	10	19,4	17	18
02040-810	L	14	22	M12	10	25,2	22	60
02040-815	L	14	22	M12	15	25,2	22	60
02040-8151	L	19	30	M16	15	33	30	140
02040-8201	L	19	30	M16	20	33	30	140

