

Item description/product images



Description

Material:

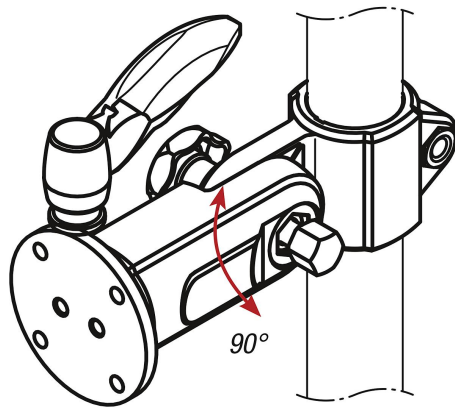
Clamp connector thermoplastic.
Flange aluminium.

Version:

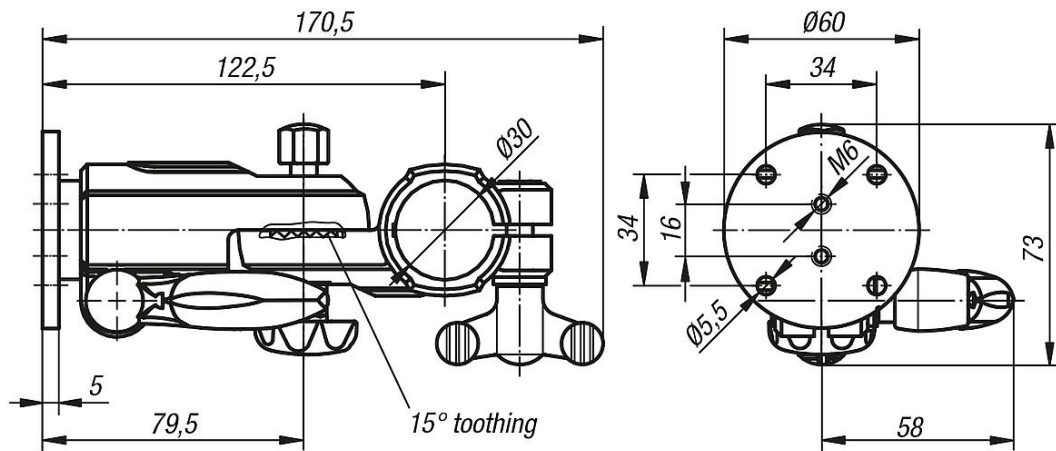
Clamp connector black.
Flange bright.

Note:

Vibration-resistant, lockable monitor bracket with angle adjustment in 15° increments. For monitors / control units up to 25 kg (static). With universal adapter plate. The base support is suitable for attaching to Ø30 mm round tubes.



Drawings



Overview of items

Order No.	Image	Version 1
29180-3001		with rotary flange