

Item description/product images



Description

Material:

The tube clamps with diameters 30 and 40 mm have a silicone sleeve that protects the thread of the hex head screw from contamination and damage.

Version:

Electropolished.

Note:

Clamping levers for tightening.

On request:

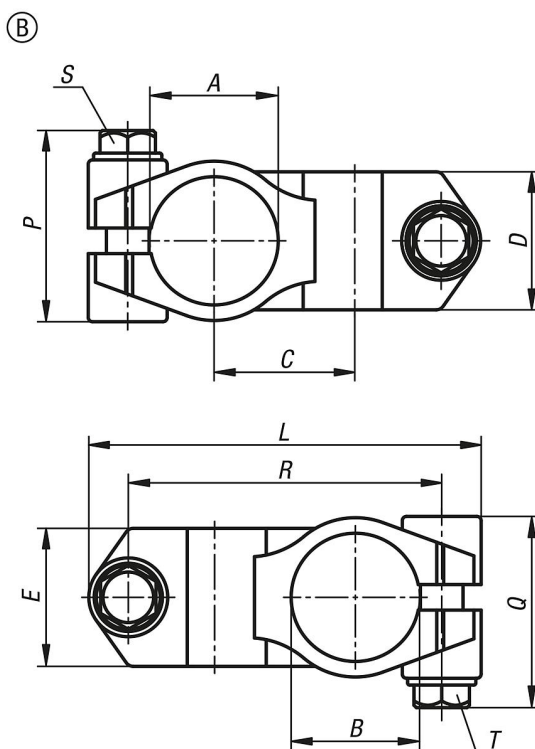
Stainless steel investment cast 1.4308.

ISO 4017 hex head screw and ISO 4032 nut, stainless steel.

Accessory:

- Round and square tubes 29050

Drawings



Overview of items

Order No.	Form	A	B	C	D	E	L	P	Q	R	S	T
29000-13030	B	30,1	30,1	33	32,4	32,4	92	45,5	45,5	73,5	M8x30	M8x30
29000-14040	B	40,17	40,17	42	40,4	40,4	118	52	52	95,5	M10x35	M10x35

