

## Item description/product images



## Description

**Material:**

Stainless steel investment cast 1.4308.  
ISO 4762 cap screw and ISO 4032 nut, stainless steel.

**Version:**

Clamping levers for tightening.

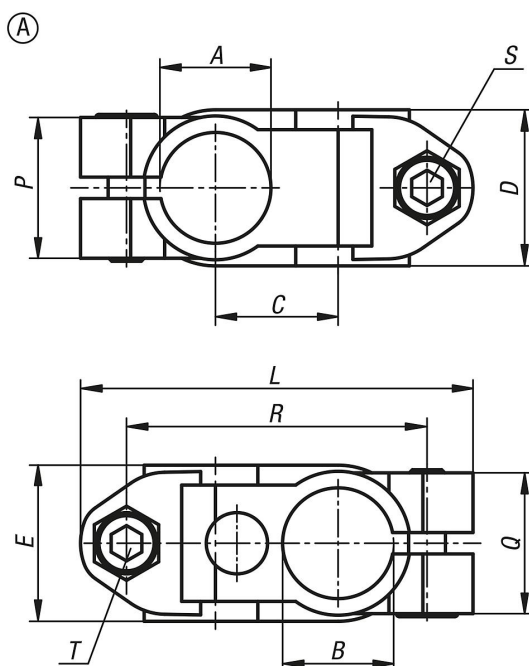
**On request:**

Electropolished.

**Accessory:**

- Round and square tubes 29050

## Drawings



## Overview of items

Order No.	Form	A	B	C	D	E	L	P	Q	R	S	T
29000-11212	A	12,1	12,1	20	25,5	25,5	64	23	23	49	M6x18	M6x18
29000-11414	A	14,1	14,1	20	25,5	25,5	64	23	23	49	M6x18	M6x18
29000-11616	A	16,1	16,1	20	25,5	25,5	64	23	23	49	M6x18	M6x18
29000-11818	A	18,1	18,1	20	25,5	25,5	64	23	23	49	M6x18	M6x18
29000-12020	A	20,1	20,1	21	25,5	25,5	64	23	23	49	M6x18	M6x18

