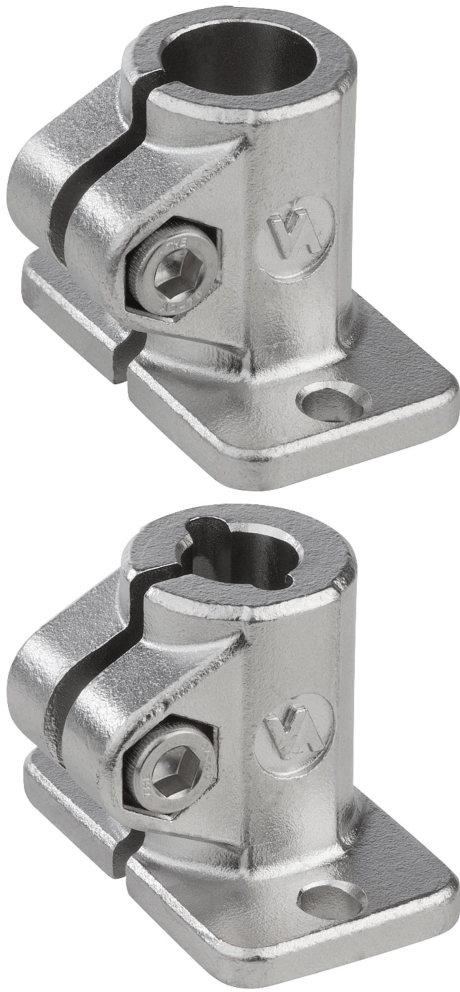


Item description/product images



Description

Material:

Stainless steel investment cast 1.4308.
ISO 4762 cap screw and ISO 4032 nut, stainless steel.

Version:

Clamping levers for tightening.

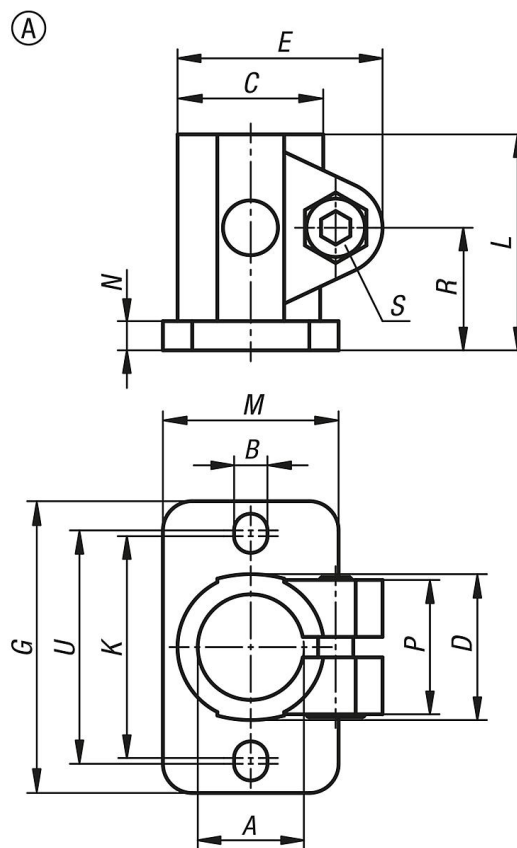
On request:

Electropolished.

Accessory:

- Round and square tubes 29050

Drawings



Overview of items

Order No.	Form	A	B	C	D	E	G	K	L	M	N	P	R	S	U
29010-112	A	12,1	5,7	27	25	35	50	38	37	30	5	23	21	M6x18	40
29010-114	A	14,1	5,7	27	25	35	50	38	37	30	5	23	21	M6x18	40
29010-116	A	16,1	5,7	27	25	35	50	38	37	30	5	23	21	M6x18	40
29010-118	A	18,1	5,7	27	25	35	50	38	37	30	5	23	21	M6x18	40
29010-120	A	20,1	5,7	27	25	35	50	38	37	30	5	23	21	M6x18	40