

Item description/product images



Description

Material:

Stainless steel investment cast 1.4308.

ISO 4017 hex head screw and ISO 4032 nut, stainless steel.

Version:

Electropolished.

Note:

The tube clamps with diameters 30 and 40 mm have a silicone sleeve that protects the thread of the hex head screw from contamination and damage.

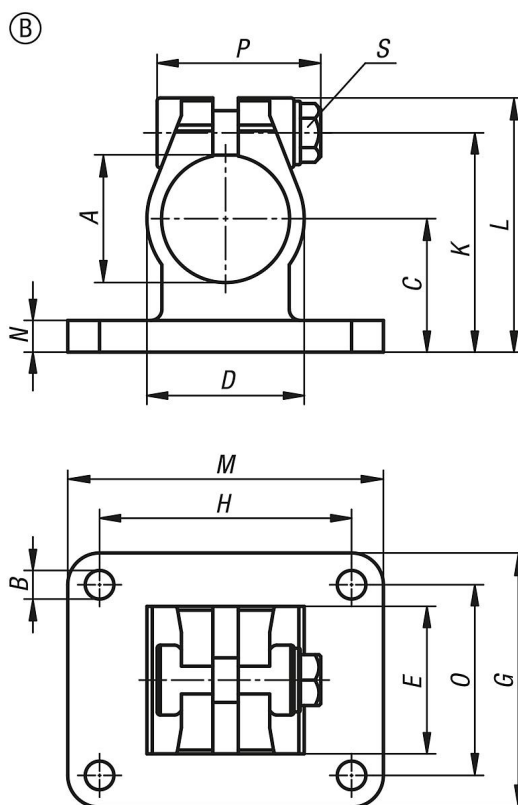
On request:

Clamping levers for tightening.

Accessory:

- Round and square tubes 29050

Drawings



Overview of items

Order No.	Form	A	B	C	D	E	G	H	K	L	M	N	O	P	S
29014-130	B	30,1	7	30	37,4	32,4	55	60	50	59,2	78	7	40	45,5	M8x30
29014-140	B	40,17	9	42	49,4	46,4	80	60	69	80	80	10	60	52	M10x35

