

Item description/product images

**Description****Material:**

Sleeve and spring plastic
Thrust pin steel, stainless steel or POM

Version:

Thrust pin (steel) case-hardened and black oxidised.
Thrust pin (stainless steel) bright
Thrust pin (POM) white.

Note:

Lateral spring plungers are used for positioning, holding and fastening workpieces in applications where there is increased presence of dirt.
For example: painting and sandblasting.

Calculation dimension X:

$Y > = L1 - D1/2$, therefore $X = D1/2 - S$

$Y < L1 - D1/2$, therefore $X = D1/2 - S - ((L1 - D1/2 - Y) * 0,123)$

Light spring force = blue spring

Standard spring force = red spring

Strong spring force = green spring

Assembly:

The sleeve is pressed into the hole.

It is recommended to moisten the sleeve before assembly.

Drawing reference:

1) Assembly tool

2) Some sizes have a different pin form

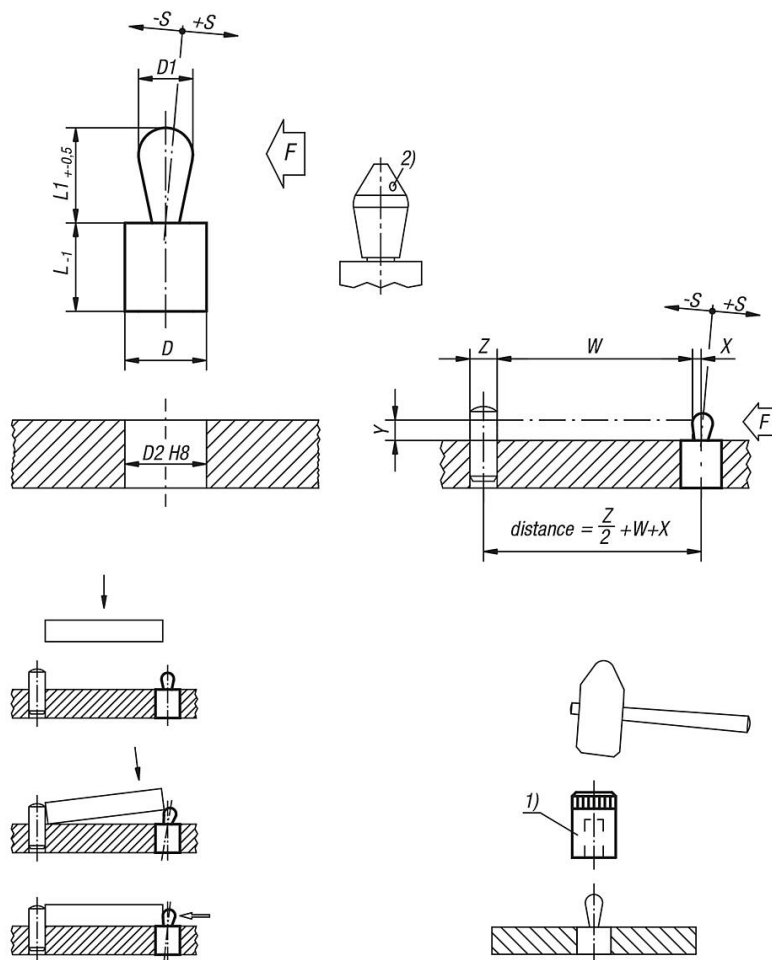
Y = workpiece height

W = workpiece length

X = coordinate dimension

Z = stop diameter

Drawings



Overview of items

Order No.	Version 1	Version 2	Component material	D	D1	D2	L	L1	±S	F ca.N	Order No. assembly tool
03330-01-100307	light spring force	different pin form	steel	6	3	5,9	7	3,7	0,4	10	03330-01-03
03330-01-100409	light spring force	-	steel	8	4	7,9	9	5,2	0,6	15	03330-01-04
03330-01-100509	light spring force	-	steel	10	5	9,9	9	7,3	0,8	30	03330-01-05
03330-01-100609	light spring force	-	steel	10	6	9,9	9	10,3	1	20	03330-01-05
03330-01-200307	standard spring force	different pin form	steel	6	3	5,9	7	3,7	0,4	20	03330-01-03
03330-01-200409	standard spring force	-	steel	8	4	7,9	9	5,2	0,6	30	03330-01-04
03330-01-200509	standard spring force	-	steel	10	5	9,9	9	7,3	0,8	60	03330-01-05
03330-01-200609	standard spring force	-	steel	10	6	9,9	9	10,3	1	30	03330-01-05
03330-01-200813	standard spring force	-	steel	12	8	11,9	13	13,3	1,2	50	03330-01-08
03330-01-201016	standard spring force	-	steel	16	10	15,9	16	16,9	1,6	80	03330-01-10
03330-01-300509	intensified spring force	-	steel	10	5	9,9	9	7,3	0,8	90	03330-01-05
03330-01-300609	intensified spring force	-	steel	10	6	9,9	9	10,3	1	60	03330-01-05
03330-01-300813	intensified spring force	-	steel	12	8	11,9	13	13,3	1,2	100	03330-01-08
03330-01-301016	intensified spring force	-	steel	16	10	15,9	16	16,9	1,6	160	03330-01-10
03330-01-110307	light spring force	different pin form	stainless steel	6	3	2,9	7	3,7	0,4	10	03330-01-03
03330-01-110409	light spring force	-	stainless steel	8	4	7,9	9	5,2	0,6	15	03330-01-04
03330-01-110509	light spring force	-	stainless steel	10	5	9,9	9	7,3	0,8	30	03330-01-05
03330-01-110609	light spring force	-	stainless steel	10	6	9,9	9	10,3	1	20	03330-01-05
03330-01-210307	standard spring force	different pin form	stainless steel	6	3	5,9	7	3,7	0,4	20	03330-01-03
03330-01-210409	standard spring force	-	stainless steel	8	4	7,9	9	5,2	0,6	30	03330-01-04
03330-01-210509	standard spring force	-	stainless steel	10	5	9,9	9	7,3	0,8	60	03330-01-05
03330-01-210609	standard spring force	-	stainless steel	10	6	9,9	9	10,3	1	30	03330-01-05
03330-01-210813	standard spring force	-	stainless steel	12	8	11,9	13	13,3	1,2	50	03330-01-08

Overview of items

Order No.	Version 1	Version 2	Component material	D	D1	D2	L	L1	±S	F ca.N	Order No. assembly tool
03330-01-211016	standard spring force	-	stainless steel	16	10	15,9	16	16,9	1,6	80	03330-01-10
03330-01-310509	intensified spring force	-	stainless steel	10	5	9,9	9	7,3	0,8	90	03330-01-05
03330-01-310609	intensified spring force	-	stainless steel	10	6	9,9	9	10,3	1	60	03330-01-05
03330-01-310813	intensified spring force	-	stainless steel	12	8	11,9	13	13,2	1,2	100	03330-01-08
03330-01-311016	intensified spring force	-	stainless steel	16	10	15,9	16	16,6	1,6	160	03330-01-10
03330-01-120307	light spring force	different pin form	POM	6	3	5,9	7	3,7	0,4	10	03330-01-03
03330-01-120409	light spring force	-	POM	8	4	7,9	9	5,2	0,6	15	03330-01-04
03330-01-120509	light spring force	-	POM	10	5	9,9	9	7,3	0,8	30	03330-01-05
03330-01-120609	light spring force	-	POM	10	6	9,9	9	10,3	1	20	03330-01-05
03330-01-220307	standard spring force	different pin form	POM	6	3	5,9	7	3,7	0,4	20	03330-01-03
03330-01-220409	standard spring force	-	POM	8	4	7,9	9	5,2	0,6	30	03330-01-04
03330-01-220509	standard spring force	-	POM	10	5	9,9	9	7,3	0,8	60	03330-01-05
03330-01-220609	standard spring force	-	POM	10	6	9,9	9	10,3	1	30	03330-01-05
03330-01-220813	standard spring force	-	POM	12	8	11,9	13	13,3	1,2	50	03330-01-08
03330-01-221016	standard spring force	-	POM	16	10	15,9	16	16,9	1,6	80	03330-01-10
03330-01-320509	intensified spring force	-	POM	10	5	9,9	9	7,3	0,8	90	03330-01-05
03330-01-320609	intensified spring force	-	POM	10	6	9,9	9	10,3	1	60	03330-01-05
03330-01-320813	intensified spring force	-	POM	12	8	11,9	13	13,3	1,2	100	03330-01-08
03330-01-321016	intensified spring force	-	POM	16	10	15,9	16	16,9	1,6	160	03330-01-10