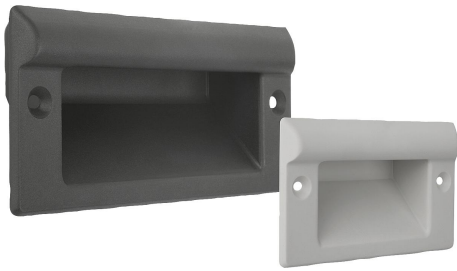


Item description/product images



Description

Material:

Glass bead reinforced thermoplastic.

Version:

Semi-matt, black or light grey.

Note:

These ergonomically shaped handles are ideally suited for wall thicknesses of 1-5 mm.

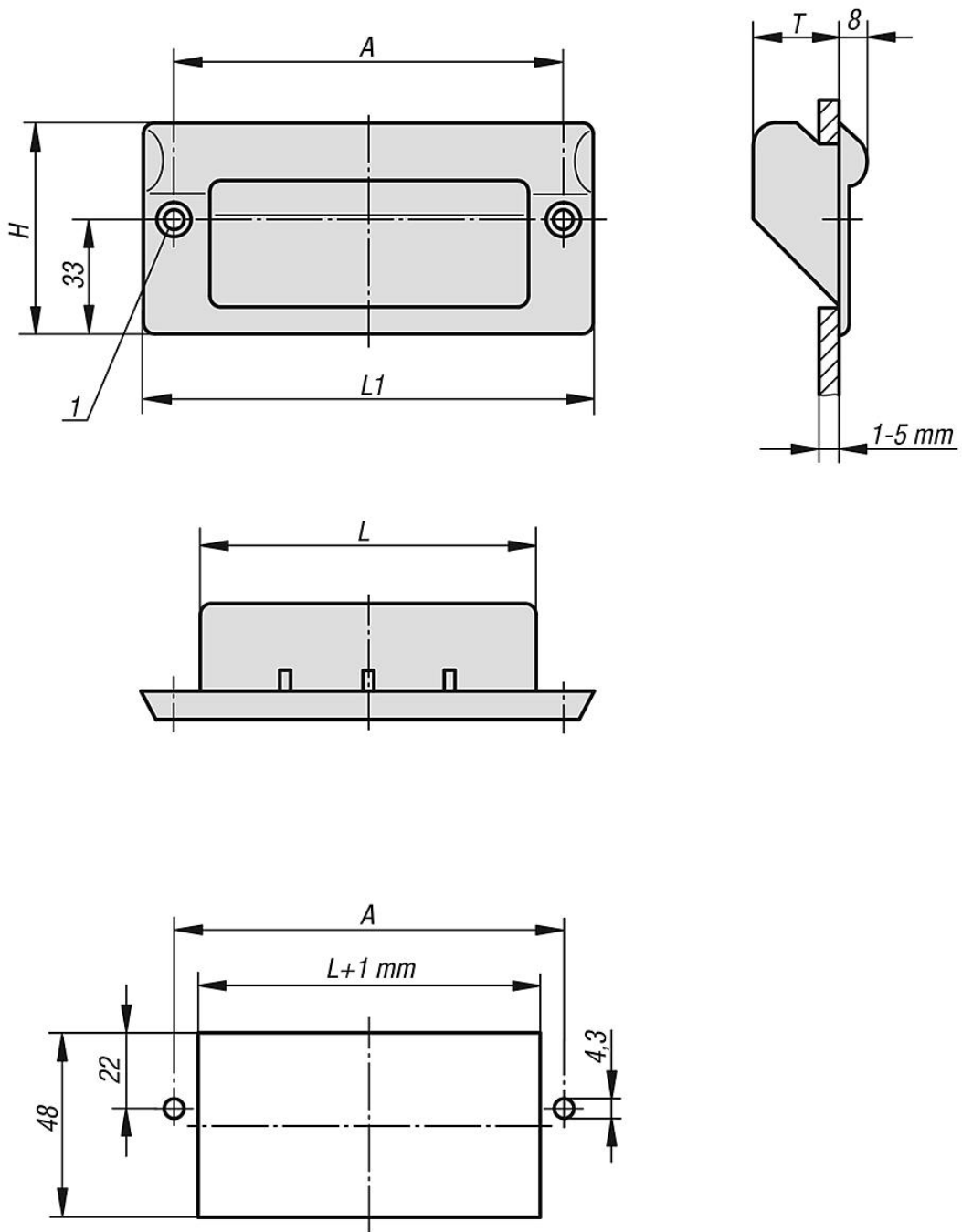
Assembly:

The handle is inserted in the cutout of the housing panel and then fixed from the front with 2 countersunk screws (not supplied).

Drawing reference:

1) for countersunk screws M4

Drawings



Overview of items

Order No.	Main colour	A	H	L	L1	T	Load capacity N
06965-1082041	black	82	61	67	100	25	1000
06965-1112041	black	112	61	97	130	25	1000
06965-1082042	light grey RAL 7035	82	61	67	100	25	1000
06965-1112042	light grey RAL 7035	112	61	97	130	25	1000

