

## Item description/product images



## Description

**Material:**

Housing, steel.  
Magnetic core AlNiCo.

**Version:**

Housing painted red.

**Note:**

Hard magnet in aluminium housing and steel jacket. Shielded system. Pot magnets are used for retaining, lifting and mounting in fixtures.

Due to the painted surface, the diameter  $D$  can be up to  $+0.8$  mm.

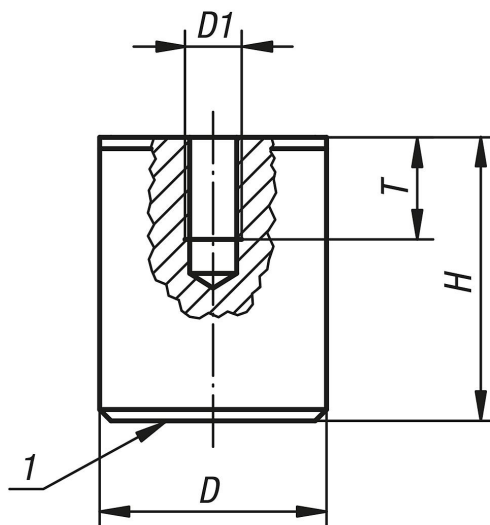
**Temperature range:**

max.  $450^{\circ}\text{C}$ .

**Drawing reference:**

1) magnetic face

## Drawings



## Overview of items

Order No.	D	D1	H	T	Magnetic force N
09094-01	17	M6	16	4	18
09094-02	21	M6	19	5	28
09094-03	27	M6	25	6	65
09094-04	35	M6	30	9	115
09094-05	65	M12	43	13	400

