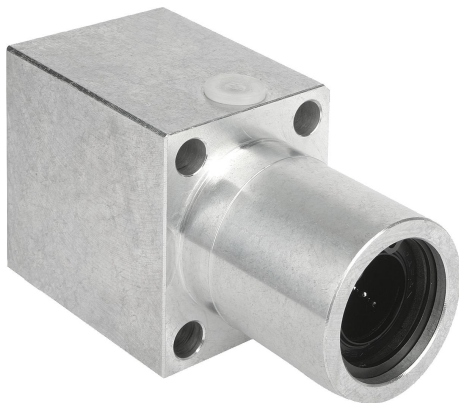


Item description/product images



Description

Material:
Housing aluminium

Version:
Housing bright.

Note:
Ready to install linear housing units consisting of an extruded aluminium housing with two self-aligning linear ball bearings 21510 and seals both sides. The bearings are secured in the housing with DIN 472 circlips.

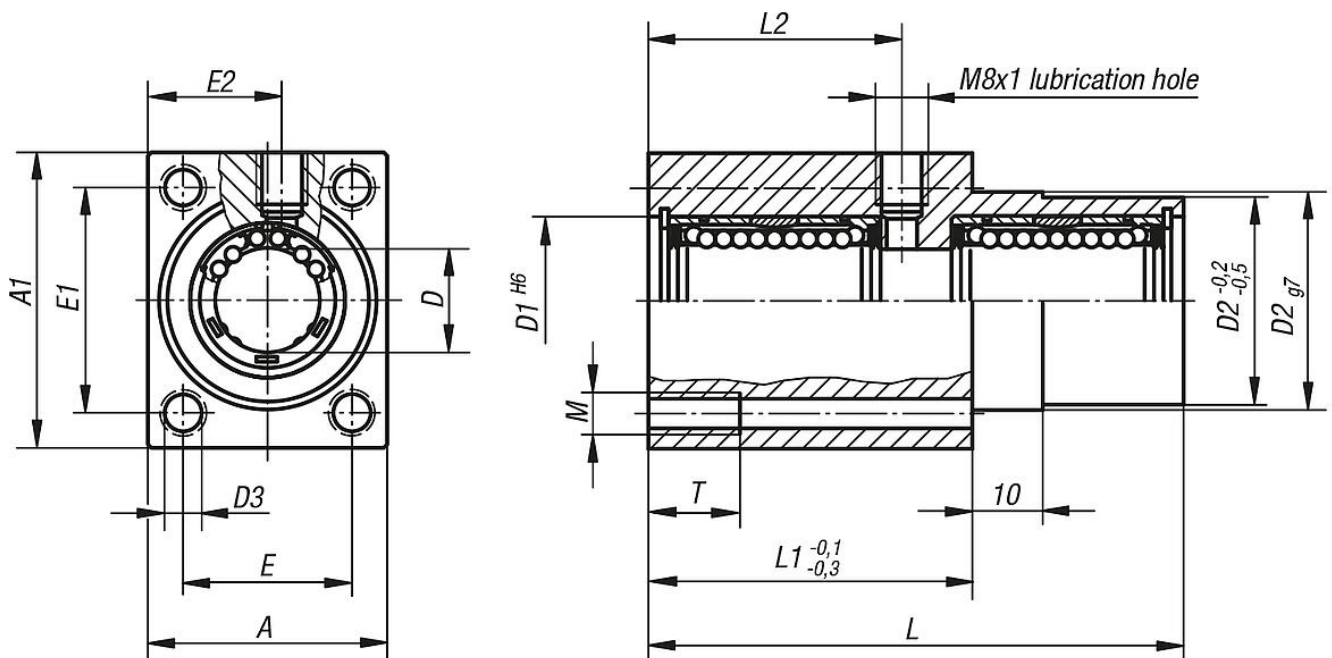
Recommended shaft tolerance: h6.

Load ratings according to the linear ball bearing specifications (x2).

On request:
Linear housing units can be equipped with any of our linear ball bearings.

Accessory:
End seals 21560.
Precision guide shafts 21595.
Fastening screws 07160 or 07161.

Drawings



Overview of items

Order No.	A	A1	D	D1	D2	D3	E	E1	E2	L	L1	L2	M	T
21524-121002	34	42	12	22	30	5,3	24	32	19	76	46	36	M6	13
21524-161002	40	50	16	26	35	6,6	28	38	22	84	50	40	M8	18
21524-201002	50	60	20	32	42	8,4	35	45	27	104	60	50	M10	22
21524-251002	60	74	25	40	52	10,5	42	56	32	130	73	63	M12	26

Overview of items

Order No.	A	A1	D	D1	D2	D3	E	E1	E2	L	L1	L2	M	T
21524-301002	70	84	30	47	61	13,5	50	64	37	152	82	74	M16	34