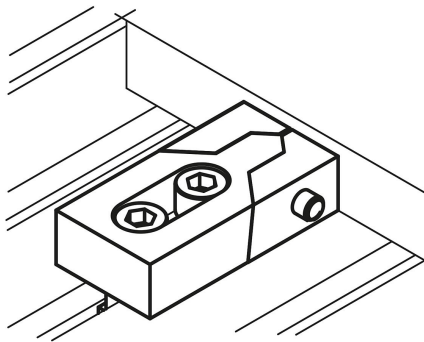


## Item description/product images



## Description

## Material:

Steel.

## Version:

Hardened, black oxidised.

## Note:

Due to their flat construction, these handy low-profile clamps are suitable for machining the majority of workpiece dimensions. Due to the wedge effect, the hardened jaws clamp simultaneously forwards and downwards.

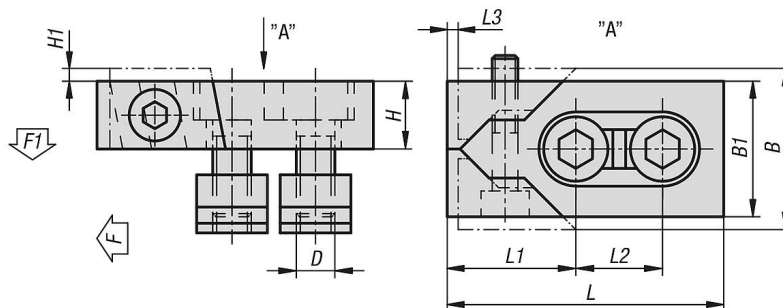
The clamping forces  $F$  and  $F_1$  are achieved under optimum configuration and utilisation of the maximum fastening screw tightening torque.

Supplied in pairs.

## Supplied with:

- 2x low-profile clamps.
- 4x DIN EN ISO 4762-10.9 fastening screws.
- 4x DIN 508 T-slot nuts.
- 2x ISO 2936 hex socket keys.

## Drawings



## Overview of items

Order No.	Slot width	L	L1	L2	L3	B	B1	H	H1	D	F kN	F1 kN	Tightening torque Nm	Packaging type
04450-122	12	80	39	26	3	47	40	20	2,5	M10	16	0,6	15	1 piece = 1 pair
04450-142	14	80	39	26	3	47	40	20	2,5	M12	22	0,9	18	1 piece = 1 pair
04450-162	16	80	39	26	3	47	40	20	2,5	M12	22	0,9	18	1 piece = 1 pair
04450-1612	16	100	46	34	4	60	50	25	3	M14	32	1,2	25	1 piece = 1 pair
04450-182	18	100	46	34	4	60	50	25	3	M16	36	1,4	36	1 piece = 1 pair
04450-202	20	100	46	34	4	60	50	25	3	M16	36	1,4	36	1 piece = 1 pair
04450-222	22	140	65	50	5	95	78	30	4	M20	36	1,4	45	1 piece = 1 pair
04450-242	24	140	65	50	5	95	78	30	4	M20	36	1,4	45	1 piece = 1 pair
04450-282	28	140	65	50	5	95	78	30	4	M24	40	1,6	55	1 piece = 1 pair

