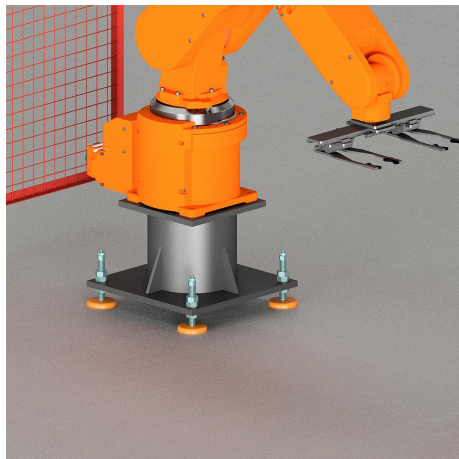
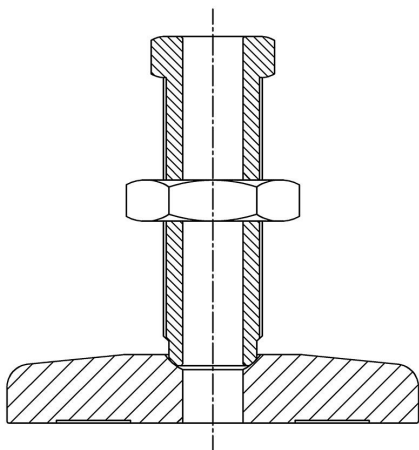


## Item description/product images



## Description

**Material:**

Plate and hollow screw steel.

**Version:**

Plate black phosphated or painted yellow.

Hollow screw electro zinc-plated or black phosphated.

**Note:**

These levelling feet are suitable for heavy loads. They are used in particular for large machines and systems, as well as in automation and robotics.

The hollow screw permits the levelling foot to be mounted directly into the floor. The machine can be optimally and precisely aligned via the fine thread.

The load values specified in the table are based on a test series in which a static load was applied perpendicular to the plates through the centre of the spindle. Radially acting forces, such as those produced by vibrations or other shaking effects, affect the load rating and are not taken into account for the specified values.

A maximum inclination of less than 3° can be compensated for.

Supplied as individual components.

**Supplied with:**

Plate 27793-04.

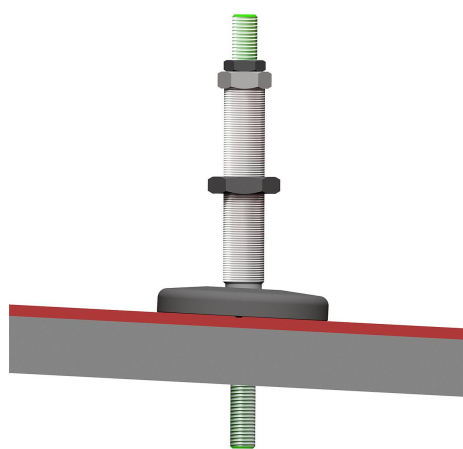
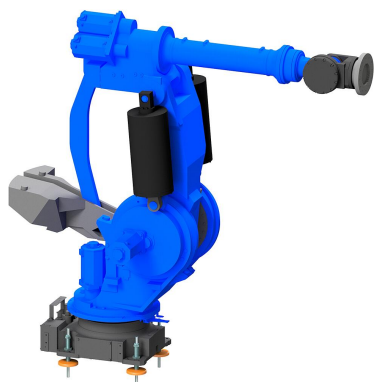
Hollow screw 27793-10.

Nut 07210-02.

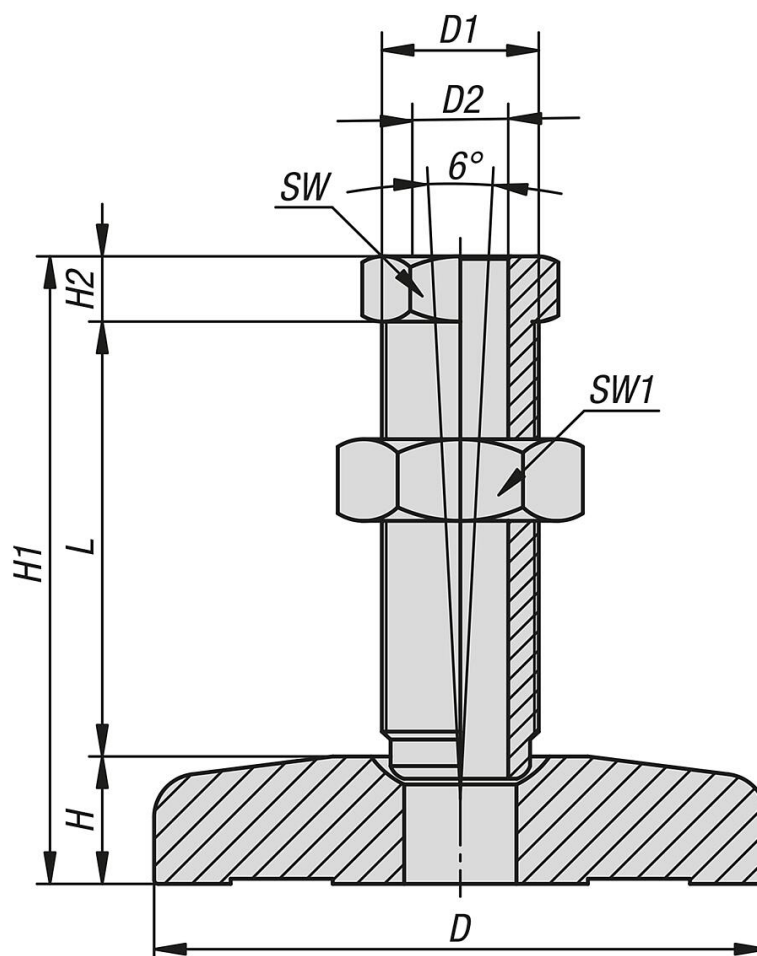
**Accessory:**

Nut 07210-02.

Item description/product images



## Drawings



## Overview of items

Order No.	Surface finish body	Surface finish component	Main colour	D	D1	D2	H	H1	H2	L	SW	SW1	Load rating max. kN (static load only)
27793-1111002413X087	painted	galvanised	daffodil yellow RAL 1007	100	M24x2	13	18	120	15	87	24	36	60
27793-1111203622X100	painted	galvanised	daffodil yellow RAL 1007	120	M36x2	22	25	140	15	100	41	55	90
27793-1111503622X100	painted	galvanised	daffodil yellow RAL 1007	150	M36x2	22	25	140	15	100	41	55	90
27793-1111503622X177	painted	galvanised	daffodil yellow RAL 1007	150	M36x2	22	25	217	15	177	41	55	90
27793-1211002413X087	phosphated	galvanised	black	100	M24x2	13	18	120	15	87	24	36	60
27793-1211203622X100	phosphated	galvanised	black	120	M36x2	22	25	140	15	100	41	55	90
27793-1211503622X100	phosphated	galvanised	black	150	M36x2	22	25	140	15	100	41	55	90
27793-1211503622X177	phosphated	galvanised	black	150	M36x2	22	25	217	15	177	41	55	90
27793-1221002413X087	phosphated	phosphated	black	100	M24x2	13	18	120	15	87	24	36	60
27793-1221203622X100	phosphated	phosphated	black	120	M36x2	22	25	140	15	100	41	55	90
27793-1221503622X100	phosphated	phosphated	black	150	M36x2	22	25	140	15	100	41	55	90
27793-1221503622X177	phosphated	phosphated	black	150	M36x2	22	25	217	15	177	41	55	90