

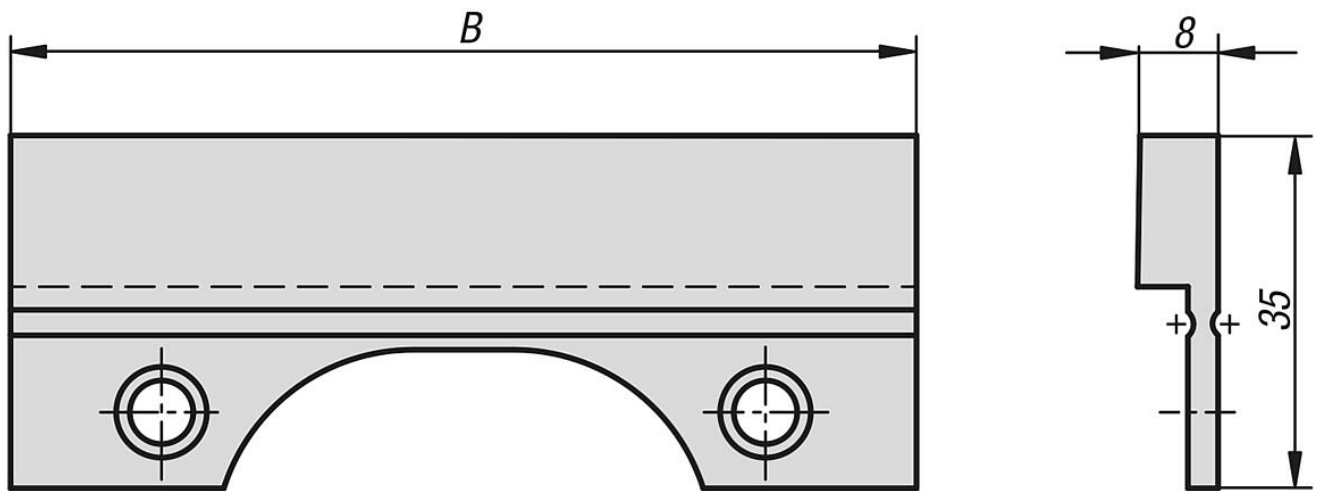
Item description/product images



Description

Material:
Tool steel.

Drawings



Overview of items

Order No.	B
41320-0900	90
41320-1250	125