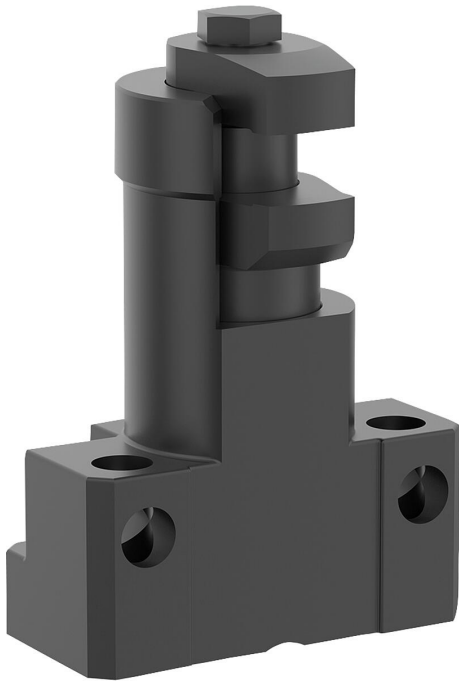


## Item description/product images

**Description****Material:**

Body and jaw steel.  
Limit stop aluminium.

**Version:**

Body black oxidised.  
Jaws nitrocarburised and black oxidised.  
Limit stop black anodised.

**Note:**

The floating clamp is used to clamp and support overhanging clamping points on components. It prevents vibrations and deflection during machining.

**Type of operation:**

1. Push the floating clamp down.
2. Pivot the jaws up to the stop. Now the floating jaw of the floating clamp should rest against the underside of the workpiece.
3. Tighten the floating clamp with the hex nut (observe the min. and max. tightening torque). During clamping, the workpiece is clamped and simultaneously supported.
4. To release, perform the procedure in reverse order.

**Assembly:**

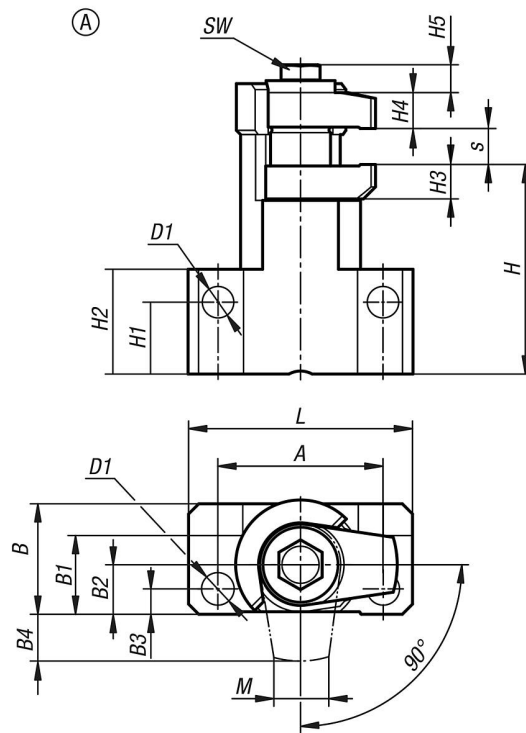
Set the height range and the pivot range, then attach the floating clamp to the bracket using the holes (D1).  
When setting the height, a generous allowance above should be taken into account.  
Form B:

For special clamping applications, the standard clamping jaw can be modified or replaced.

**Drawing reference:**

- 1) Exchangeable jaw
- 2) M6 ISO 4762 cap screw
- 3) Fastening point for clamping jaw

## Drawings



## Overview of items