

Item description/product images



Description

Material:

Stainless steel 1.4308.

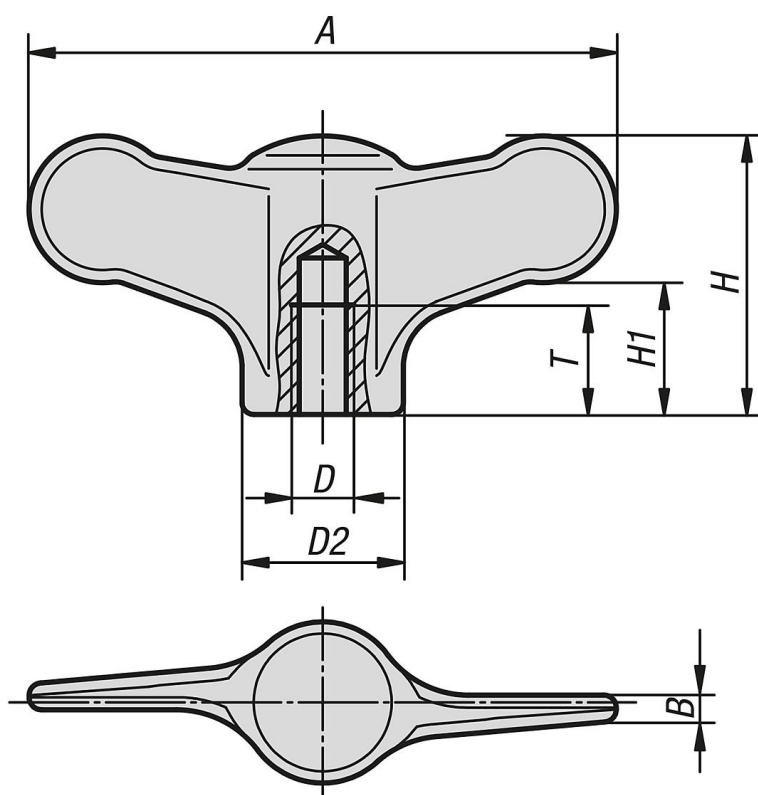
Version:

Abrasive blasted or ground and polished.

On request:

With external threads.

Drawings



Overview of items

| Order No. | Main colour | A | B | D | D2 | H | H1 | T |
|------------|-------------|----|-----|-----|------|----|------|----|
| 06651-904 | polished | 38 | 1,7 | M4 | 10,5 | 18 | 8,5 | 9 |
| 06651-905 | polished | 38 | 1,7 | M5 | 10,5 | 18 | 8,5 | 9 |
| 06651-906 | polished | 38 | 1,7 | M6 | 10,5 | 18 | 8,5 | 9 |
| 06651-105 | polished | 50 | 2,3 | M5 | 14 | 24 | 11,5 | 12 |
| 06651-106 | polished | 50 | 2,3 | M6 | 14 | 24 | 11,5 | 12 |
| 06651-208 | polished | 75 | 3,4 | M8 | 21 | 35 | 16,5 | 15 |
| 06651-210 | polished | 75 | 3,4 | M10 | 21 | 35 | 16,5 | 15 |
| 06651-9041 | blasted | 38 | 1,7 | M4 | 10,5 | 18 | 8,5 | 9 |
| 06651-9051 | blasted | 38 | 1,7 | M5 | 10,5 | 18 | 8,5 | 9 |
| 06651-9061 | blasted | 38 | 1,7 | M6 | 10,5 | 18 | 8,5 | 9 |
| 06651-1051 | blasted | 50 | 2,3 | M5 | 14 | 24 | 11,5 | 12 |
| 06651-1061 | blasted | 50 | 2,3 | M6 | 14 | 24 | 11,5 | 12 |
| 06651-2081 | blasted | 75 | 3,4 | M8 | 21 | 35 | 16,5 | 15 |

Overview of items

| Order No. | Main colour | A | B | D | D2 | H | H1 | T |
|------------|-------------|----|-----|-----|----|----|------|----|
| 06651-2101 | blasted | 75 | 3,4 | M10 | 21 | 35 | 16,5 | 15 |