

## Item description/product images

**Description****Material:**

Steel 1.7225.

**Version:**

Electro zinc-plated and passivated.

**Note:**

Levelling sets are used wherever heavy systems, machines or equipment need to be placed and levelled. They are characterised by a wide adjustment range of 15 mm to 40 mm.

The static load F applies after deduction of the force applied by the fastening screw.

**On request:**

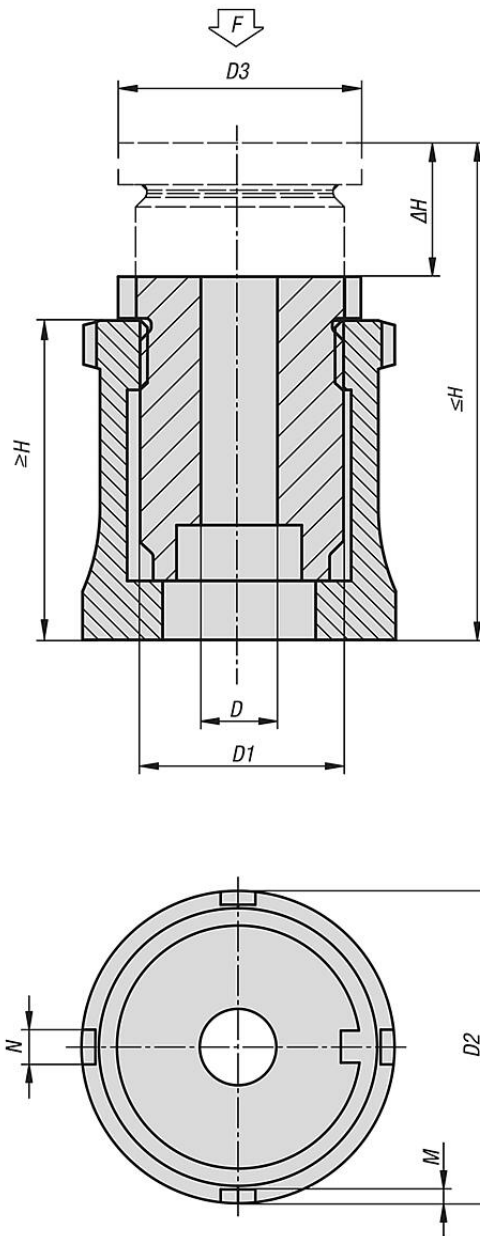
Other sizes.

Stainless steel A1 or A4 levelling sets.

**Accessory:**

96650 Hook wrench with lug, DIN 1810A enhanced.

Drawings



Overview of items

Order No.	D	D1	D2	D3	H min.	H max.	ΔH	M	N	F kN	for screw	Locknut
27709-01506	6,6	M15x1	25	19	32	47	15	2	4	45	M6	without locknut
27709-02008	9	M20x1	32	24	40	60	20	2	4	75	M8	without locknut
27709-02510	11	M30x1,5	45	35	52	77	25	2	5	140	M10	without locknut
27709-03212	13,5	M40x1,5	58	45	64	96	32	2,5	6	210	M12	without locknut
27709-04016	17,5	M50x1,5	70	55	78	118	40	2,5	6	400	M16	without locknut

