

Item description/product images



Description

Material:

Housing sintered steel.
Clamping arm steel S235JR.
Buffer natural rubber.
Screw steel.

Version:

Steel parts painted.
Screw ISO 4017, grade 8.8, electro zinc-plated.

Note:

Tensioning element with integrated highly elastic, shape-retaining natural rubber buffer.

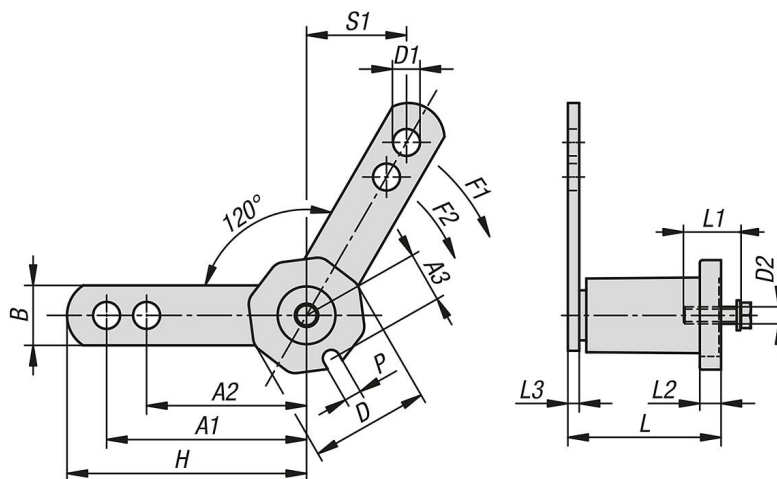
Together with a chain tensioner set, sprocket set or a tension pulley, the tensioning element makes a ready-to-install tensioning unit suitable for tensioning chain and belt drives. The tensioning elements are maintenance-free and tear-off resistant.

Tensioning elements for tensioning very long chain and belt drives. The slack side is guided alternately over the idler pulleys or sprockets attached to the two extension arms. This enables three times the length to be used compared to that using conventional tensioners in the slack side.

Temperature range:

-55 °C to +85 °C.

Drawings



Overview of items

Order No.	Size	A1	A2	A3	B	D	D1	D2	H	L	L1	L2	L3	P	S1	Tightening torque of screw C1 Nm	F1 N	F2 N
22281-18-3	3	100	80	24,8	30	56	10,5	M10	120	78+1,5 -0,5	30	10	6	8,5	53	10	320	430
22281-18-4	4	130	100	34,5	50	73,7	12,5	M12	170	108+2 -0,5	40	14	8	9,8	69	25	820	1050

