

Item description/product images



Description

Product description:

The Hygienic DESIGN fastening system was specially developed for use in food-processing facilities. Special emphasis has been placed on the cleaning-optimised geometry and a surface finish of $Ra \leq 0.8 \mu\text{m}$. Quick and easy product installation due to a pre-mounted sealing washer rounds off the overall package.

Material:

Hex nut: stainless steel 1.4404.

Sealing washer: EU10/2011 and FDA conform thermoplastic (POM).

Version:

Hex nut: Polished or unpolished stainless steel.

Sealing washer: RAL5002 - Ultramarine blue (POM).

Note:

The contact face for the sealing ring must ideally be flat and perpendicular to the threaded hole and have a surface finish of $Ra \leq 0.8 \mu\text{m}$.

Sealing ring is unsuitable for acidic cleaning ($\text{pH} < 4$) and oxidising agents.

Temperature range:

-20 °C to +100 °C (POM).

Advantages:

Pre-installed, exchangeable seal washer.

Foodstuff conform material.

Cleaning optimised geometry.

On request:

Special versions.

Attention:

The suitability of the Hygienic DESIGN fasteners for the respective application must be checked by the user. Depending on the loads and external influences (temperature, cleaning media, product media), the sealing washer should be inspected regularly and replaced if necessary.

Supplied with:

Hex nut incl. seal washer.

Accessory:

Sealing washer 07301.

Stainless steel hex head bolt with sealing washer 07170-11.

Threaded version:

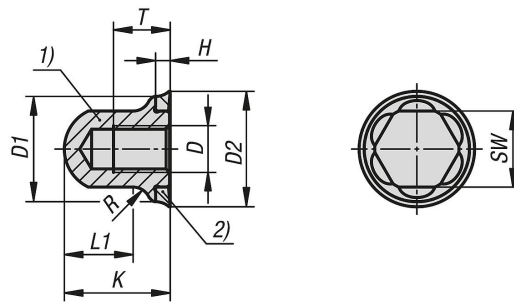
M4 - M16.

Drawing reference:

1) Hex nut

2) Sealing washer

Drawings



Overview of items

Order No.	Surface finish body	D	D1	D2	H	K	L1	R	SW	T
07280-11-1104	polished	M4	10	11,25	2	11,1	5,9	3	7	4,8
07280-11-1105	polished	M5	12	13,25	2	13,1	7,4	3	8	6
07280-11-1106	polished	M6	14	15,74	2,5	15,1	9,1	3	10	7,2
07280-11-1108	polished	M8	18	19,74	2,5	18,1	11,7	3	13	9,6
07280-11-1110	polished	M10	22	23,74	2,5	22,1	15	4	16	12
07280-11-1112	polished	M12	26	28,25	3	25,1	16,1	5	18	14,4
07280-11-1116	polished	M16	35	37,25	3	32,1	21,8	6	24	19,2
07280-11-2104	not polished	M4	10	11,25	2	11,1	5,9	3	7	4,8
07280-11-2105	not polished	M5	12	13,25	2	13,1	7,4	3	8	6
07280-11-2106	not polished	M6	14	15,74	2,5	15,1	9,1	3	10	7,2
07280-11-2108	not polished	M8	18	19,74	2,5	18,1	11,7	3	13	9,6
07280-11-2110	not polished	M10	22	23,74	2,5	22,1	15	4	16	12
07280-11-2112	not polished	M12	26	28,25	3	25,1	16,1	5	18	14,4
07280-11-2116	not polished	M16	35	37,25	3	32,1	21,8	6	24	19,2