

Item description/product images



Description

Material:

Steel.

Version:

Thrust pin steel, hardened and electro zinc-plated.

Sleeve blue electro zinc-plated.

Note:

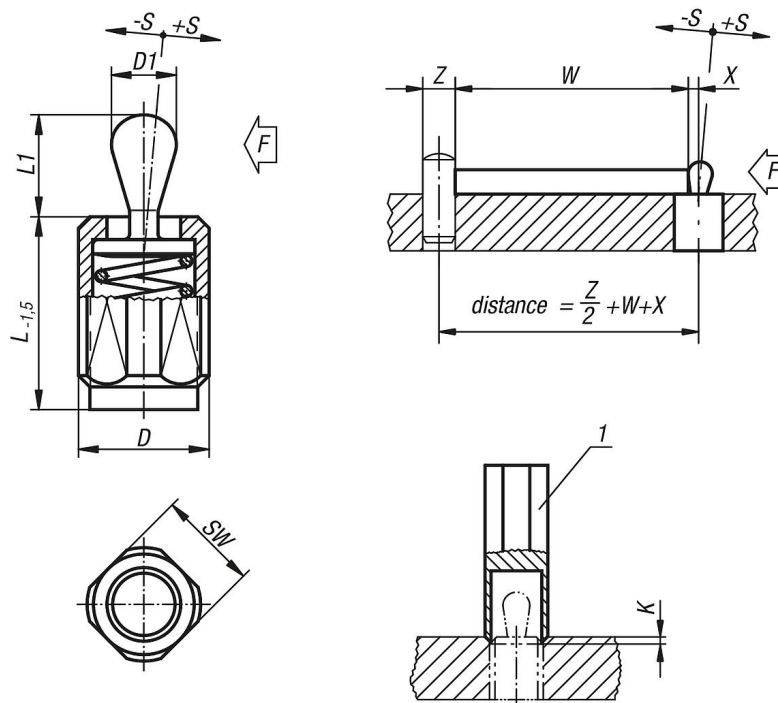
Lateral spring plungers with threaded sleeve can be individually adjusted to suit the part being held. The threaded sleeve is also suitable for screwing into thin sheet metal as it can be fastened with one or two nuts.

W and Z are customer specified.

Drawing reference:

1) assembly tool

Drawings



Overview of items

Order No.	Component material	L	L1	D	D1	±S	F ca.N	X	SW	K	Order No. assembly tool
03334-3020X12	0.0018	11,5	6	M12	5	0,8	20	1,6	10	2x60°	03334-06

Overview of items

Order No.	Component material	L	L1	D	D1	±S	F ca.N	X	SW	K	Order No. assembly tool
03334-3020X20	0.0018	19	6	M12	5	0,8	20	1,6	10	2x60°	03334-06
03334-3020X27	0.0018	26,5	6	M12	5	0,8	20	1,6	10	2x60°	03334-06
03334-3050X12	0.0018	11,5	6	M12	5	0,8	50	1,6	10	2x60°	03334-06
03334-3050X20	0.0018	19	6	M12	5	0,8	50	1,6	10	2x60°	03334-06
03334-3050X27	0.0018	26,5	6	M12	5	0,8	50	1,6	10	2x60°	03334-06
03334-3100X12	0.0018	11,5	6	M12	5	0,8	100	1,6	10	2x60°	03334-06
03334-3100X20	0.0018	19	6	M12	5	0,8	100	1,6	10	2x60°	03334-06
03334-3100X27	0.0018	26,5	6	M12	5	0,8	100	1,6	10	2x60°	03334-06
03334-3040X12	0.0018	11,5	10	M12	6	1	40	1,8	10	2x60°	03334-06
03334-3040X20	0.0018	19	10	M12	6	1	40	1,8	10	2x60°	03334-06
03334-3040X27	0.0018	26,5	10	M12	6	1	40	1,8	10	2x60°	03334-06
03334-3075X12	0.0018	11,5	10	M12	6	1	75	1,8	10	2x60°	03334-06
03334-3075X20	0.0018	19	10	M12	6	1	75	1,8	10	2x60°	03334-06
03334-3075X27	0.0018	26,5	10	M12	6	1	75	1,8	10	2x60°	03334-06
03334-3150X12	0.0018	11,5	10	M12	6	1	100	1,8	10	2x60°	03334-06
03334-3150X20	0.0018	19	10	M12	6	1	100	1,8	10	2x60°	03334-06
03334-3150X27	0.0018	26,5	10	M12	6	1	100	1,8	10	2x60°	03334-06
03334-3100X16	0.0018	18	16	M18X1,5	10	1,6	100	3,2	16	2,5x60°	03334-10
03334-3100X29	0.0018	31,5	16	M18X1,5	10	1,6	100	3,2	16	2,5x60°	03334-10
03334-3100X43	0.0018	45	16	M18X1,5	10	1,6	100	3,2	16	2,5x60°	03334-10
03334-3200X16	0.0018	18	16	M18X1,5	10	1,6	150	3,2	16	2,5x60°	03334-10
03334-3200X29	0.0018	31,5	16	M18X1,5	10	1,6	150	3,2	16	2,5x60°	03334-10
03334-3200X43	0.0018	45	16	M18X1,5	10	1,6	150	3,2	16	2,5x60°	03334-10
03334-3300X16	0.0018	18	16	M18X1,5	10	1,6	200	3,2	16	2,5x60°	03334-10
03334-3300X29	0.0018	31,5	16	M18X1,5	10	1,6	200	3,2	16	2,5x60°	03334-10
03334-3300X43	0.0018	45	16	M18X1,5	10	1,6	200	3,2	16	2,5x60°	03334-10