

## Item description/product images

**Description****Material:**

Steel.

**Version:**

Case-hardened, black oxidised and ground.

**Note:**

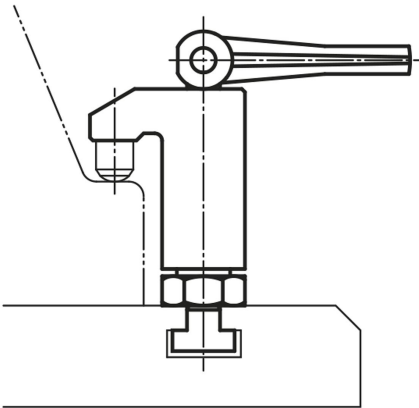
The clamping heights can be increased with riser bars 04378 and for 04620-12 to 04620-14 and 04620-22 to 04620-24 reduced by self-aligning pads 02000.

**Advantages:**

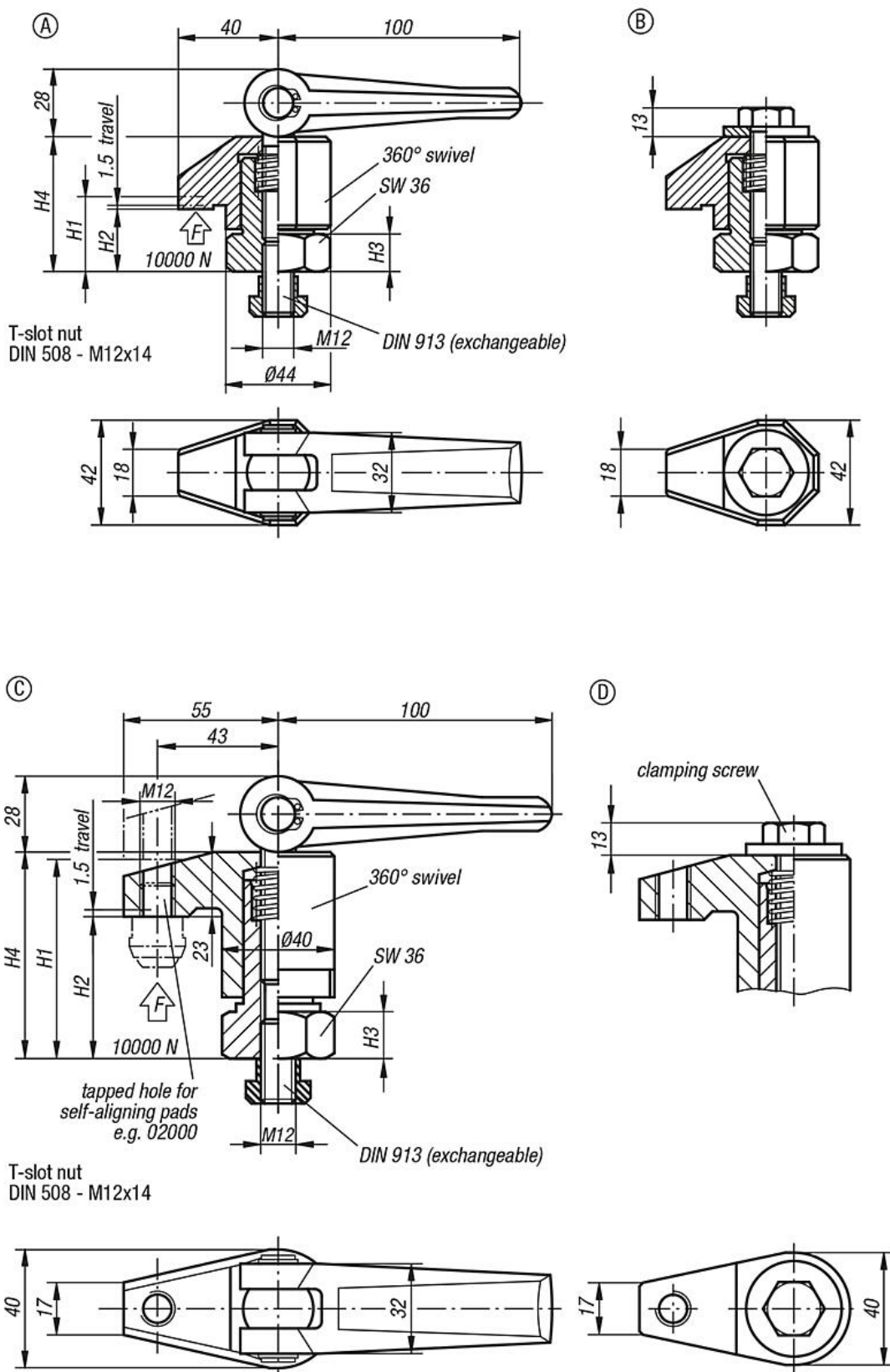
- Rapid clamping by hand via threaded spindle and spiral cam.
- Quick and easy workpiece exchange by pivoting the clamp arm.
- Compact design, small clamping space required.
- Simple adaptation to tall clamping heights using the riser cylinders.

The clamps can be mounted in two ways:

- 1) in a T-slot.
- 2) by the M12 screw directly in a fixture base.



Drawings



## Overview of items

Order No.	Form	Form definition	Clamping height max. H1	Clamping height min. H2	H3	H4
04620-11	A	with cam lever	30	25	15	54-59
04620-12	C	with cam lever and thread	70	50	15	73-93
04620-13	C	with cam lever and thread	98	68	15	91-121
04620-14	C	with cam lever and thread	135	95	22	118-158
04620-21	B	with clamping screw	30	25	15	54-59
04620-22	D	with clamping screw and thread	70	50	15	73-93
04620-23	D	with clamping screw and thread	98	68	15	91-121
04620-24	D	with clamping screw and thread	135	95	22	118-158