

Item description/product images



Description

Material:

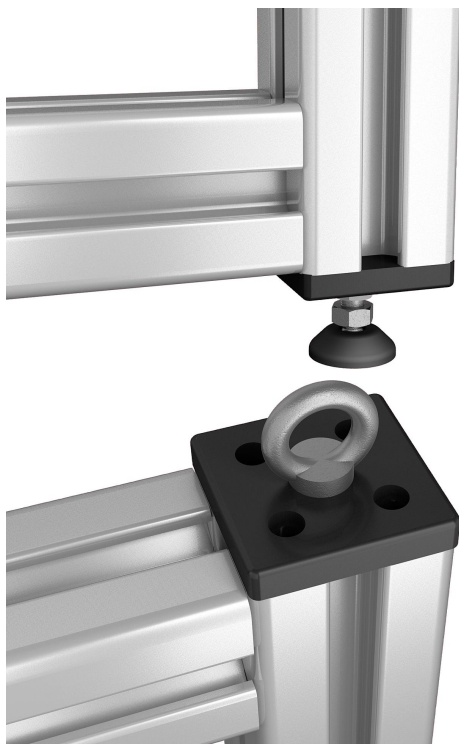
Die-cast zinc.

Version:

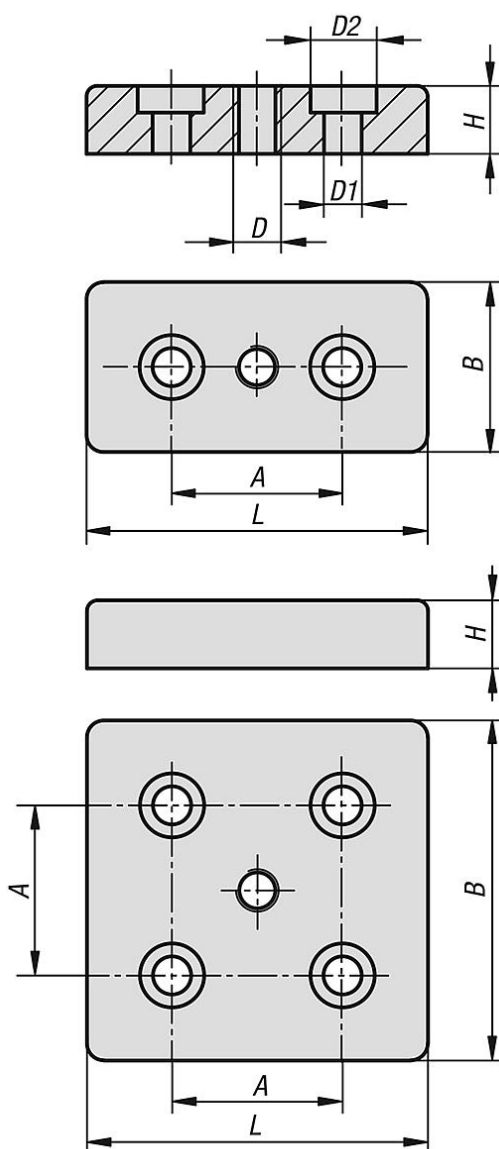
bright or black powder-coated.

Note:

Used to mount levelling feet, rollers, eye bolts and other elements. Can also be mounted to the side of a profile using slot nuts.



Drawings



Overview of items

Order No.	Finish	Type	Slot width	Profile	B	L	H	A	D	D1	D2
10347-0840801080	bright	I	8	40x80	40	80	16	40	M8	9	15
10347-0840801100	bright	I	8	40x80	40	80	16	40	M10	9	15
10347-0840801120	bright	I	8	40x80	40	80	16	40	M12	9	15
10347-0840801160	bright	I	8	40x80	40	80	16	40	M16	9	15
10347-0880801080	bright	I	8	80x80	80	80	16	40	M8	9	15
10347-0880801100	bright	I	8	80x80	80	80	16	40	M10	9	15
10347-0880801120	bright	I	8	80x80	80	80	16	40	M12	9	15
10347-0880801160	bright	I	8	80x80	80	80	16	40	M16	9	15
10347-1040802080	bright	B	10	40x80	40	80	16	40	M8	14,5	20
10347-1040802100	bright	B	10	40x80	40	80	16	40	M10	14,5	20
10347-1040802120	bright	B	10	40x80	40	80	16	40	M12	14,5	20
10347-1040802160	bright	B	10	40x80	40	80	16	40	M16	14,5	20
10347-1045902100	bright	B	10	45x90	45	90	16	45	M10	14,5	20
10347-1045902120	bright	B	10	45x90	45	90	16	45	M12	14,5	20
10347-1045902140	bright	B	10	45x90	45	90	16	45	M14	14,5	20
10347-1045902160	bright	B	10	45x90	45	90	16	45	M16	14,5	20
10347-1045902200	bright	B	10	45x90	45	90	16	45	M20	14,5	20
10347-1090902100	bright	B	10	90x90	90	90	16	45	M10	14,5	20

Overview of items

Order No.	Finish	Type	Slot width	Profile	B	L	H	A	D	D1	D2
10347-1090902120	bright	B	10	90x90	90	90	16	45	M12	14,5	20
10347-1090902140	bright	B	10	90x90	90	90	16	45	M14	14,5	20
10347-1090902160	bright	B	10	90x90	90	90	16	45	M16	14,5	20
10347-1090902200	bright	B	10	90x90	90	90	16	45	M20	14,5	20
10347-0630601081	black powder-coated	I	6	30x60	30	60	12	30	M8	6,6	11
10347-0630601101	black powder-coated	I	6	30x60	30	60	12	30	M10	6,6	11
10347-0630601121	black powder-coated	I	6	30x60	30	60	12	30	M12	6,6	11
10347-0630601161	black powder-coated	I	6	30x60	30	60	12	30	M16	6,6	11
10347-0660601081	black powder-coated	I	6	60x60	60	60	12	30	M8	6,6	11
10347-0660601101	black powder-coated	I	6	60x60	60	60	12	30	M10	6,6	11
10347-0660601121	black powder-coated	I	6	60x60	60	60	12	30	M12	6,6	11
10347-0660601161	black powder-coated	I	8	60x60	60	60	16	40	M16	9	15
10347-0840801081	black powder-coated	I	8	40x80	40	80	16	40	M8	9	15
10347-0840801101	black powder-coated	I	8	40x80	40	80	16	40	M10	9	15
10347-0840801121	black powder-coated	I	8	40x80	40	80	16	40	M12	9	15
10347-0840801161	black powder-coated	I	8	40x80	40	80	16	40	M16	9	15
10347-0880801081	black powder-coated	I	8	80x80	80	80	16	40	M8	9	15
10347-0880801101	black powder-coated	I	8	80x80	80	80	16	40	M10	9	15
10347-0880801121	black powder-coated	I	8	80x80	80	80	16	40	M12	9	15
10347-0880801161	black powder-coated	I	8	80x80	80	80	16	40	M16	9	15
10347-0830602081	black powder-coated	B	8	30x60	30	60	12	30	M8	9	15
10347-0830602101	black powder-coated	B	8	30x60	30	60	12	30	M10	9	15
10347-0830602121	black powder-coated	B	8	30x60	30	60	12	30	M12	9	15
10347-1045902101	black powder-coated	B	10	45x90	45	90	16	45	M10	14,5	20
10347-1045902121	black powder-coated	B	10	45x90	45	90	16	45	M12	14,5	20
10347-1045902141	black powder-coated	B	10	45x90	45	90	16	45	M14	14,5	20
10347-1045902161	black powder-coated	B	10	45x90	45	90	16	45	M16	14,5	20
10347-1045902201	black powder-coated	B	10	45x90	45	90	16	45	M20	14,5	20
10347-1090902101	black powder-coated	B	10	90x90	90	90	16	45	M10	14,5	20
10347-1090902121	black powder-coated	B	10	90x90	90	90	16	45	M12	14,5	20
10347-1090902141	black powder-coated	B	10	90x90	90	90	16	45	M14	14,5	20
10347-1090902161	black powder-coated	B	10	90x90	90	90	16	45	M16	14,5	20
10347-1090902201	black powder-coated	B	10	90x90	90	90	16	45	M20	14,5	20