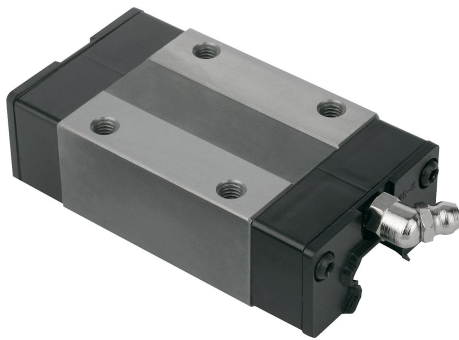


Item description/product images



Description

Material:

Body carbon steel.
Balls roller bearing steel.
Diverters plastic.

Version:

Bright.

Note:

Compact guide carriage with recirculating ball guidance precision N not preloaded (Z0). With double-sided end seal. 4-row versions with round arch profile. The profile guide rail tracks are arranged at 45° and can accept loads from all directions.

High dynamic values: $v = 5 \text{ m/s}$.

Applicable temperature in continuous use max. 80 °C.

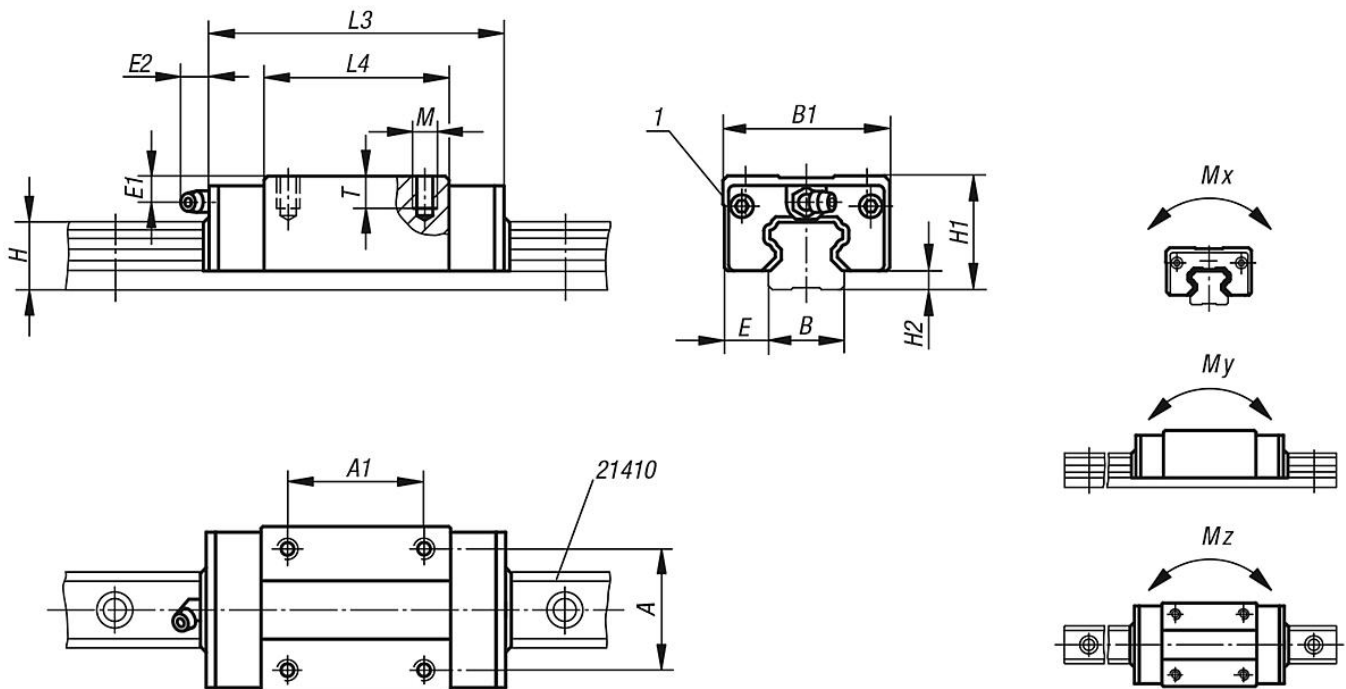
On request:

Various precision and preload classes.

Drawing reference:

1) ground ref. edge

Drawings



Overview of items

Order No.	Size	Mx Nm	My Nm	Mz Nm	Dynamic load rating N	Static load rating N	Lubrication hole
21404-15106601	15	70	50	50	6850	12700	Ø3
21404-20107801	20	220	180	180	14500	25600	M6x1

Overview of items

Order No.	Size	Mx Nm	My Nm	Mz Nm	Dynamic load rating N	Static load rating N	Lubrication hole
21404-25108801	25	360	320	310	21400	40000	M6x1
21404-30110901	30	600	500	490	29800	54900	M6x1

Order No.	Size	A	A1	B	B1	E	E1	E2	H	H1	H2	L3	L4	M	T
21404-15106601	15	26	26	15	34	9,5	4,3	5	14	24	4,6	66	40	M4	5,6
21404-20107801	20	32	32	20	42	11	5	13,5	18	28	5	77,8	48,8	M5	7
21404-25108801	25	35	35	23	48	12,5	4,8	13,5	22	33	7	88	57	M6	8,4
21404-30110901	30	40	40	28	60	16	7	13	26	42	9	109	72	M8	11,2