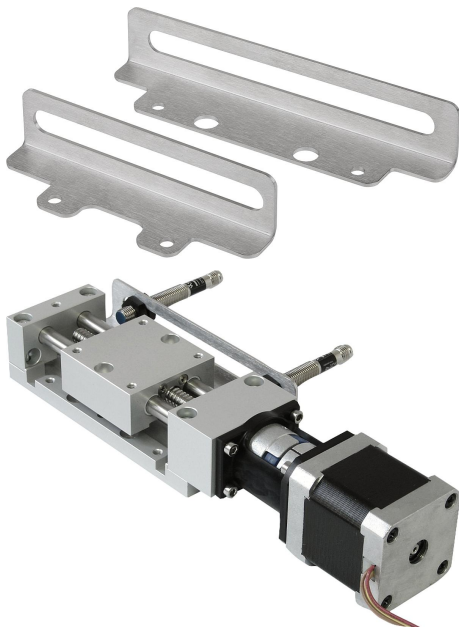


Item description/product images



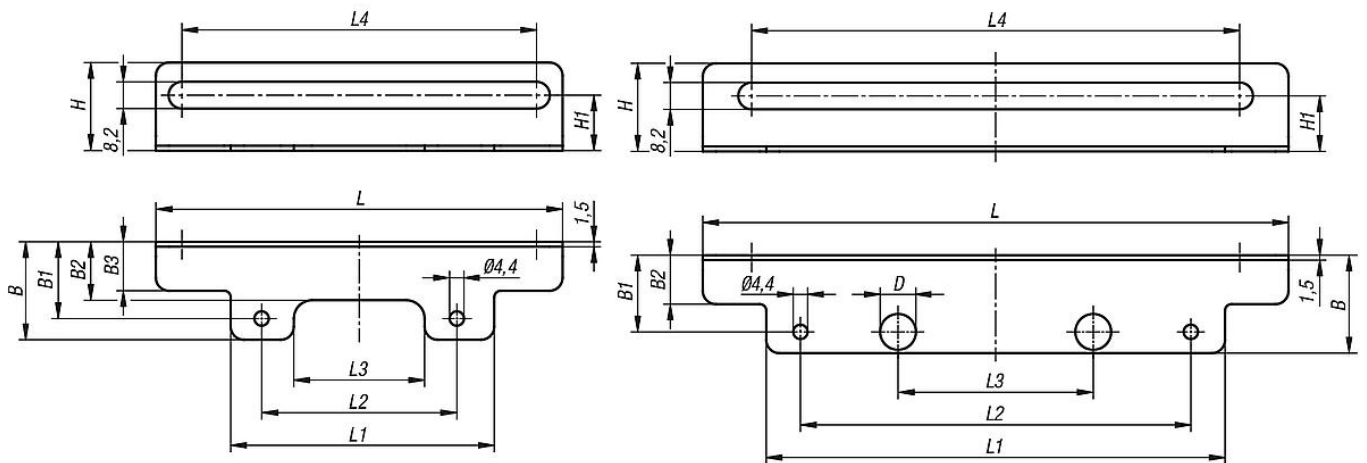
Description

Material:
Aluminium alloy.

Version:
anodised.

Note:
The sensor holder is used to fasten inductive proximity switches (e.g. 83000-10-050) to the mounting plate or on the customer's part.

Drawings



Overview of items

Order No.	Size	Version	B	B1	B2	B3	D	H	H1	L	L1	L2	L3	L4
21093-081	8	short	25	20	15,9	13,5	4,1	22	12	90	50	40	21,7	74
21093-121	12	short	30	23,5	17,9	15	5,6	27	17	125	81	60	40,2	109
21093-082	8	long	25	20	12,5	-	8	22	12	120	88	72	36	96
21093-122	12	long	30	23,5	15	-	11	27	17	180	141	120	60	150