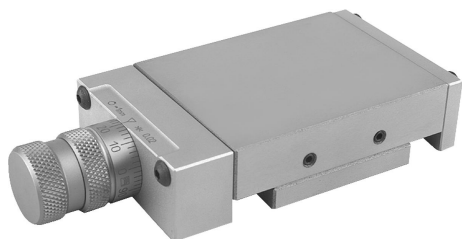


Item description/product images



Description

Material:
GJL 250

Version:
Bright, ground.

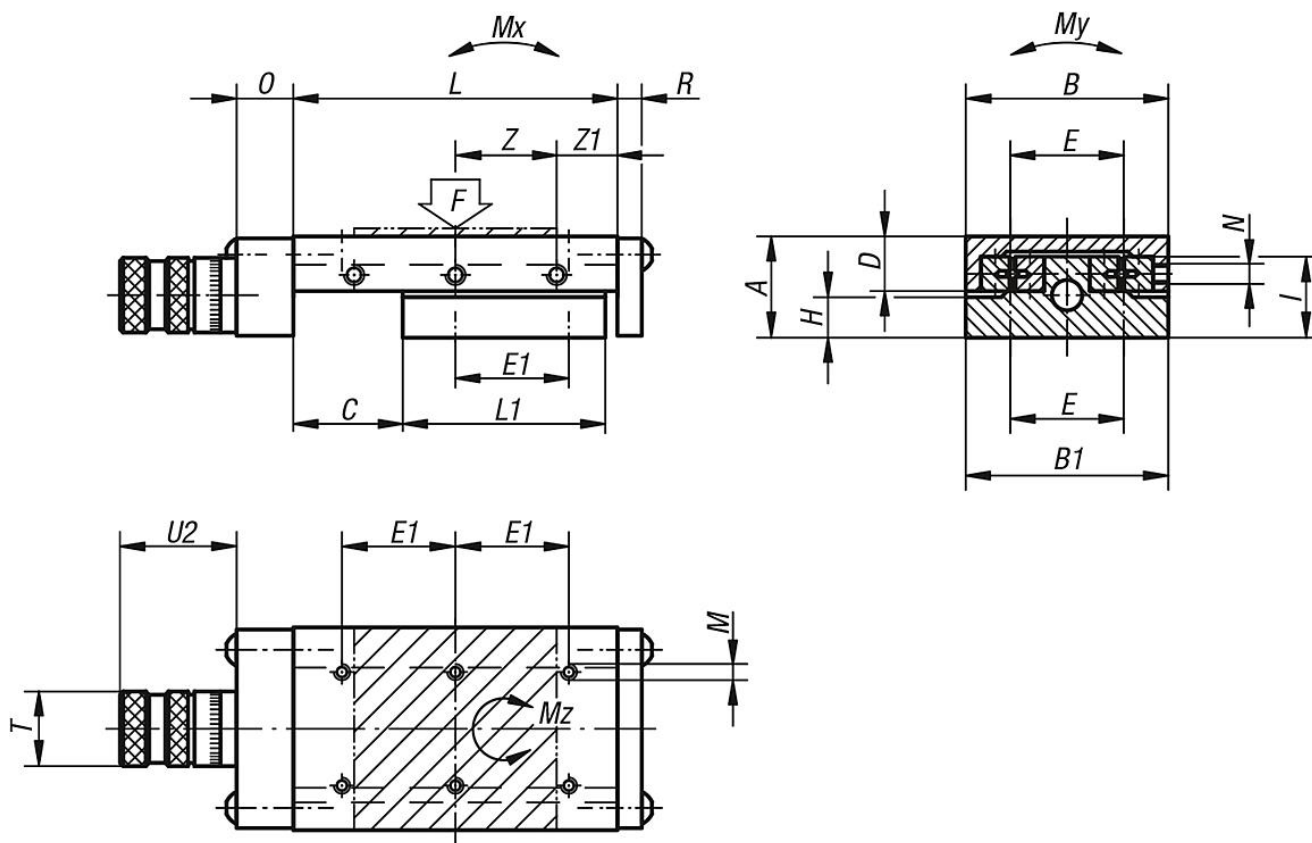
Note:

Slides available in aluminium on request.
The scale ring is graduated in 0.02 mm increments. The version 21040-040045 is graduated in 0.01 mm increments. Other graduations are available on request.
The stated permissible loads (F) are for a lifespan of 1 million travel cycles.
The torque values apply only to centred carriages.

F = permissible loading for dynamic and static loads.
TI = number of fastening holes E1/M inside.
TA = number of fastening holes E1/M outside.

* Spacing of external fastening holes = 25 mm.

Drawings



Overview of items

Order No.	A	B	B1	C	D	E	E1	TI	TA	H	I	L	L1	M	N	O	R	T	U2	Z	Z1	Spindle	F N	Mx Nm	My Nm	Mz Nm
21040-040045	20	40	39,5	10	13	30	15*	4	4	6,5	13	45	30	M3	M3	12	3	16	25	15x1	15	M5x0,5	183	1	3	2
21040-050075	25	50	49,5	20	17	28	28	4	6	7,5	18	75	50	M4	M3	14	6	23	36	25x1	25	M6x1	286	4	7	6

Overview of items

Order No.	A	B	B1	C	D	E	E1	TI	TA	H	I	L	L1	M	N	O	R	T	U2	Z	Z1	Spindle	F N	Mx Nm	My Nm	Mz Nm
21040-060075	25	60	59,5	20	17	34	34	4	4	7,5	18	75	50	M4	M4	14	6	23	36	25x1	25	M6x1	289	4	8	6
21040-100360	40	100	99,5	150	27,5	86	86	6	8	12	28	360	200	M6	M6	15	6	30	44	50x3	105	M10x1	1130	61	100	107