

## Item description/product images

**Description****Material:**

Housing high-strength aluminium.  
Stop system steel.

**Version:**

Housing anodised.  
Stop system hardened and black oxidised.

**Note:**

Maintenance-free pneumatic rotary module for small installation spaces with double actuated drive cylinder. Control by 4/2 or 5/2 directional valve. Pneumatic drive, 4-8 bar, constant, filtered (10 µm), dried, oiled or unoled. Compressed air connection M5.

Modules of the same size can be combined with one another without adapter plates via the precise centring system by means of centring rings 20240.

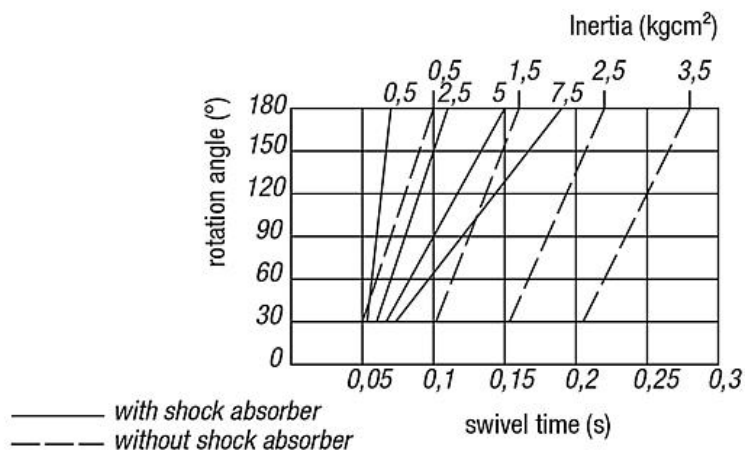
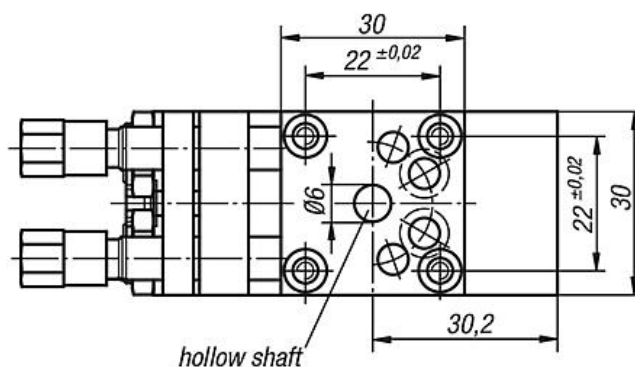
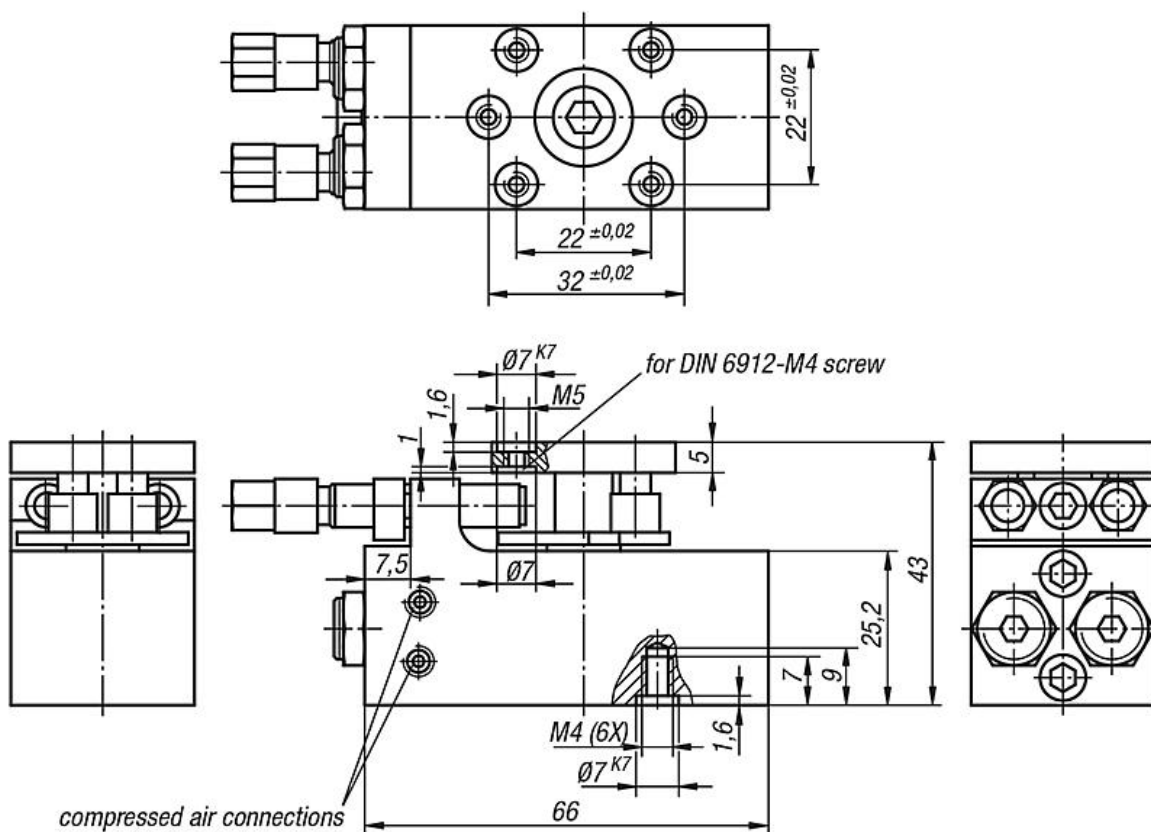
The 0° – 190° rotation angle is infinitely adjustable.

Repeat accuracy ±0.01°.

**Accessory:**

See table for shock absorber, proximity switch and plug connector.

Drawings



## Overview of items

Order No.	Size	Driving torque Nm	Rotation angle	Axial load N	Radial load N	Cylinder Ø	Air consumption per cycle at 6 bar (ccm)
20060-014	4	0,28	0° - 190°	300	220	2 x 10	5

Order No.	Size	Suitable shock absorber	Suitable proximity switch	Suitable plug connector
20060-014	4	26300-1010008	83000-15-010	80100-10-010X2000