

Item description/product images



Description

Material:

Steel
grade 8.8.

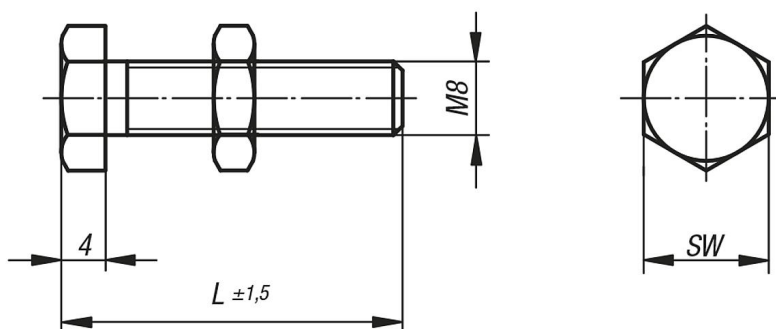
Version:

Stop screw black oxidised.
Stop face hardened (52 HRC).
Nut electro zinc-plated.

Note:

The screw heads are machined before being hardened giving a defined and permanently consistent stop face.

Drawings



Overview of items

Order No.	L	SW
20010-08017	17	13
20010-08022	22	13
20010-08027	27	13
20010-08032	32	13
20010-08035	35	13
20010-08045	45	13
20010-08055	55	13
20010-08065	65	13
20010-08073	73	13
20010-08088	88	13