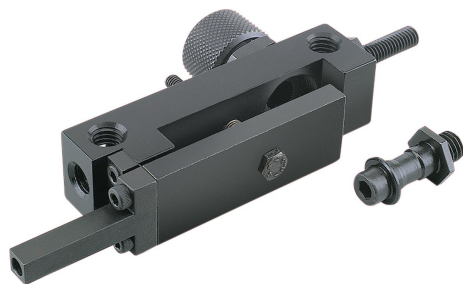


Item description/product images



Description

Material:

Body aluminium.
Probe lever investment cast steel.

Version:

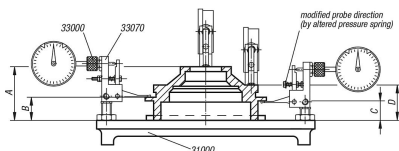
Body black anodised.
Probe lever black oxidised.

Note:

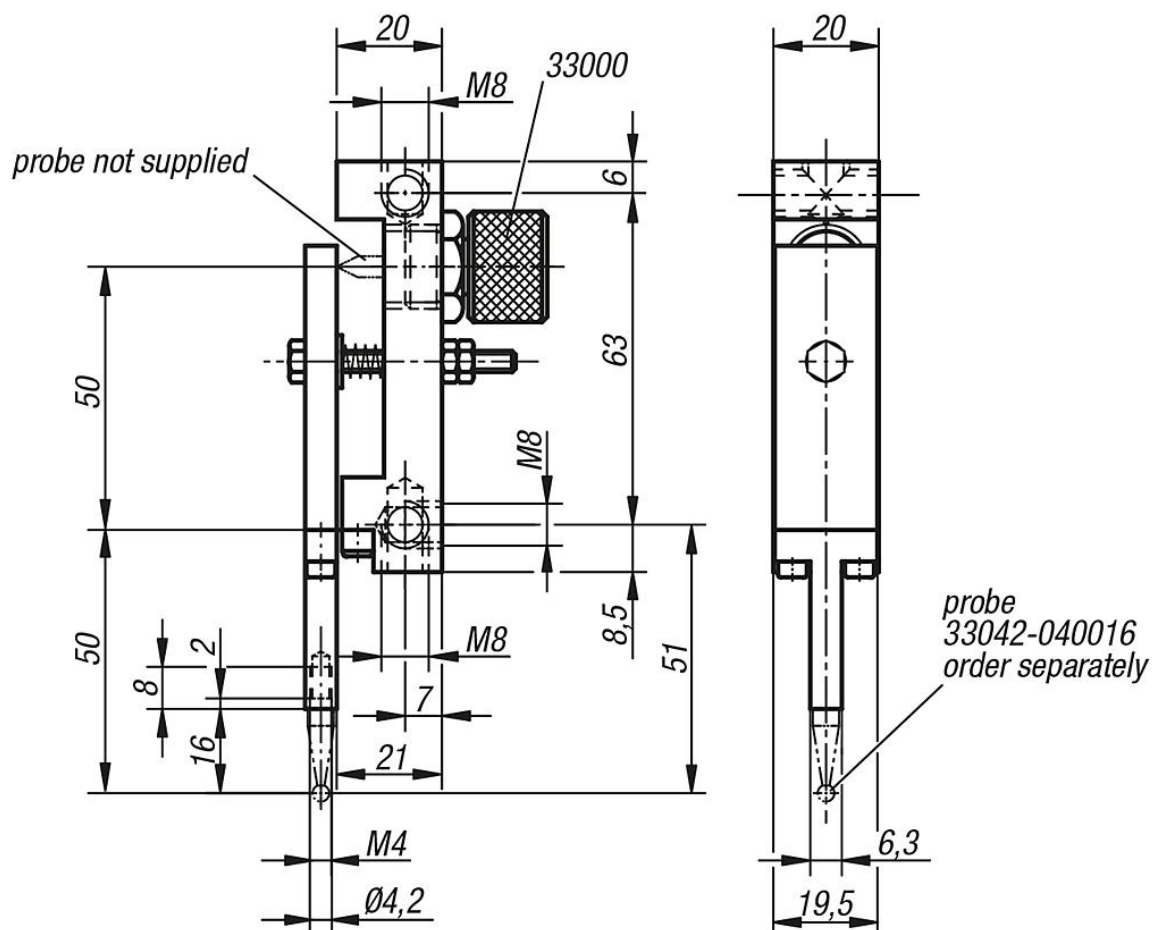
To alter the probe direction and mounting of the deflection dial gauge holder with the fastening adaptors (supplied) see technical information.

Accessory:

Dial gauges see 32540 and 32542.
Probe inserts see 33042-040016.



Drawings



Overview of items

Order No.	Dimensions
33080-050	see drawing

