

Item description/product images

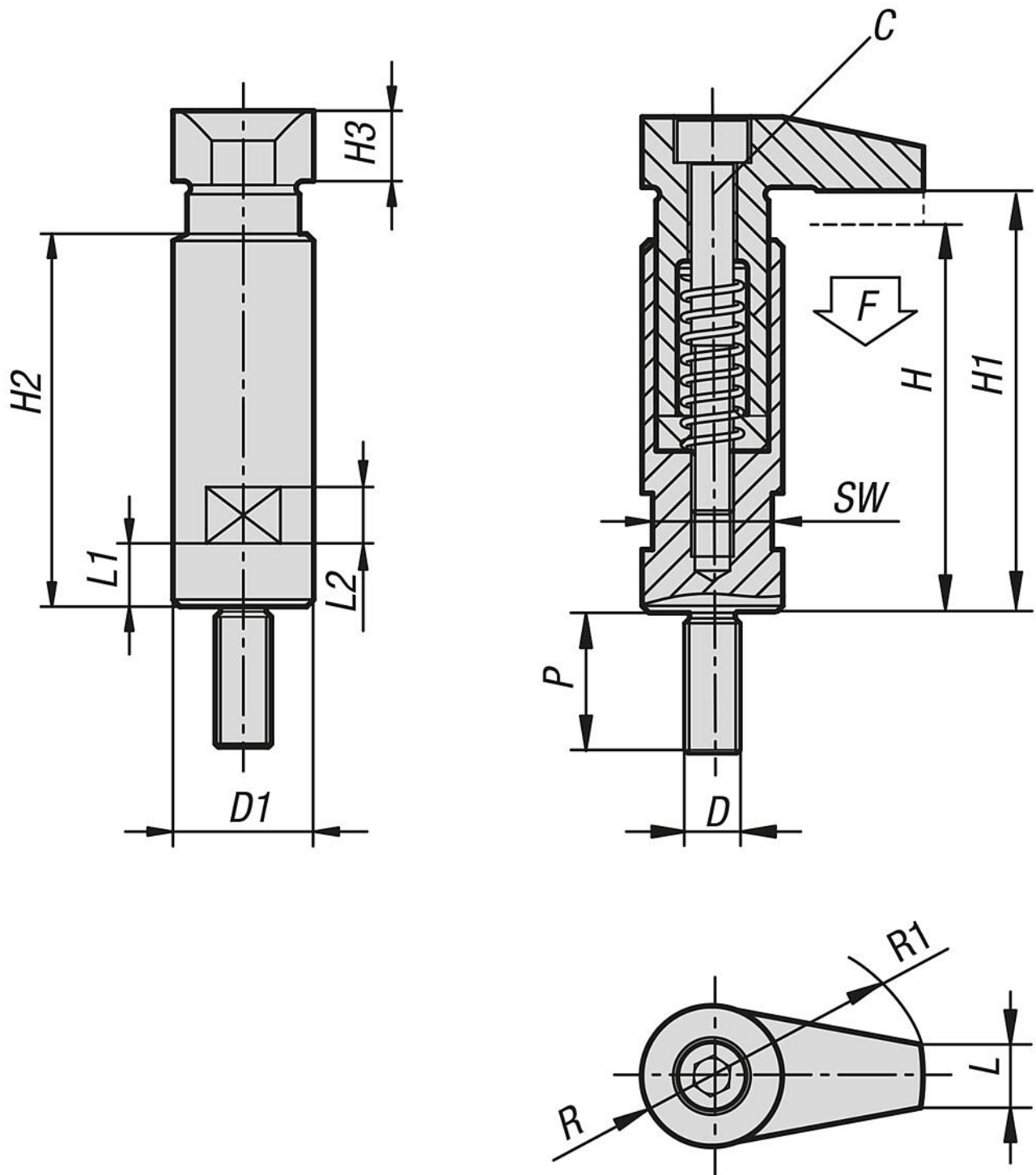


**Description**

**Material:**  
Carbon steel.

**Version:**  
Tempered and black oxidised.

Drawings



Overview of items

Order No.	C	D	D1	H	H1	H2	H3	L	L1	L2	P	R	R1	SW	Clamping force kN
04371-606	M6	M6	20	56	60	53	10,5	9	11	8	20	10	30	17	4,5
04371-608	M6	M8	20	56	60	53	10,5	9	11	8	20	10	30	17	4,5
04371-610	M8	M10	25	72	79	67	12,5	12	15	10	25	12,5	40	19	6,5
04371-612	M10	M12	32	88	96	82	16,5	18	17	12	30	16,5	50	27	11,8

