



Description

Material:

Rail stainless steel 1.4301.
Ball cage stainless steel 1.4301.
Balls stainless steel 1.4034.

Version:

Slides bright.
Ball cages bright.
Balls bright.

Note for ordering:

Sold in pairs.

Note:

On telescopic slides with over-extension, the travel is greater than the installed length. Latches in open position. When the release lever is actuated, the drawer can be taken out easily and separated from the guide.
The dynamic load capacity of the telescopic slides indicates the maximum load rating of a vertically mounted slide pair when the entire extension length is used. The load capacity specified is calculated with a slide spacing of 400 mm and is based on the maximum value with 10,000 cycles.

The load capacity is ca. 75% lower by horizontal mounting.

The head height of the fastening screws should not exceed 2.5 mm otherwise there is a risk of collision with other parts of the slide.

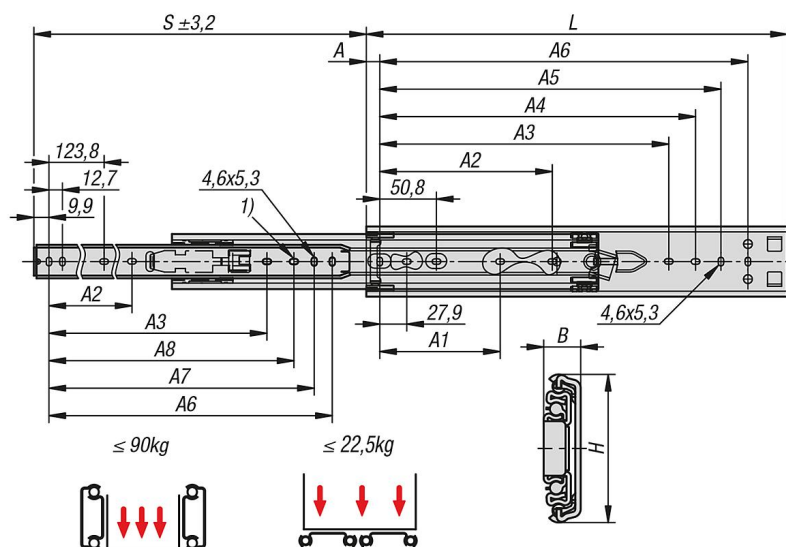
Advantages:

Latches in open position
Quick frontal release

Drawing reference:

1) Mounting hole by 21334-95-0305 not provided

Drawings



21334-95 Telescopic slides, stainless steel for side mounting, over-extension, load capacity up to 90 kg



Overview of items

Order No.		Assembly	Product type	Loading per pair kg	Packaging type
21334-95-0305	DS3557-0012	side mounting	standard	56	1 piece = 1 pair
21334-95-0356	DS3557-0014	side mounting	standard	68	1 piece = 1 pair
21334-95-0406	DS3557-0016	side mounting	standard	80	1 piece = 1 pair
21334-95-0457	DS3557-0018	side mounting	standard	85	1 piece = 1 pair
21334-95-0508	DS3557-0020	side mounting	standard	90	1 piece = 1 pair
21334-95-0559	DS3557-0022	side mounting	standard	90	1 piece = 1 pair
21334-95-0610	DS3557-0024	side mounting	standard	90	1 piece = 1 pair
21334-95-0660	DS3557-0026	side mounting	standard	87	1 piece = 1 pair

Order No.	A	A1	A2	A3	A4	A5	A6	A7	A8	B	H	Travel S	L
21334-95-0305	15,9	-	-	-	209,6	235	260,4	247,7	-	12,7	51,6	330	305
21334-95-0356	15,9	-	-	-	260,4	285,8	311,2	298,5	285,8	12,7	51,6	381	356
21334-95-0406	15,9	123,8	-	-	311,2	336,6	362	349,3	336,6	12,7	51,6	432	406
21334-95-0457	15,9	123,8	177,8	314,4	362	387,4	412,8	400,1	387,4	12,7	51,6	483	457
21334-95-0508	15,9	123,8	203,2	365,3	412,8	438,2	463,6	450,9	438,2	12,7	51,6	533	508
21334-95-0559	15,9	123,8	228,6	416,1	463,6	489	514,4	501,7	489	12,7	51,6	584	559
21334-95-0610	15,9	123,8	254	466,9	514,4	539,8	565,2	552,5	539,8	12,7	51,6	635	610
21334-95-0660	15,9	123,8	279,4	517,7	565,2	590,6	616	603,3	590,6	12,7	51,6	686	660